

# Irving



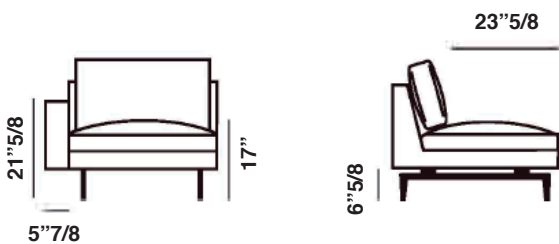
## Description

Sofa with frame made of solid and plywood, padded with non-deformable expanded polyurethane of differentiated density, and sprung with interwoven elastic belts. Cotton lining coupled with polyester. Bridge-shaped feet in bronzed painted aluminium, or in polished aluminium cast upon request.

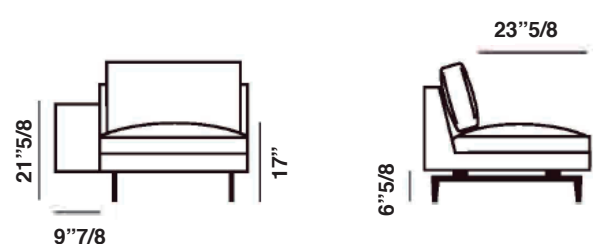
Seat cushions in non-deformable expanded polyurethane with differentiated densities, and polyester.

Backrest-cushions type "A" with canalised feather and polyurethane insert; backrest-cushions type "B" entirely made with canalised feather. Optional cushions and lumbar-cushions are entirely in feather. Ali padding is fully lined with white fabric.

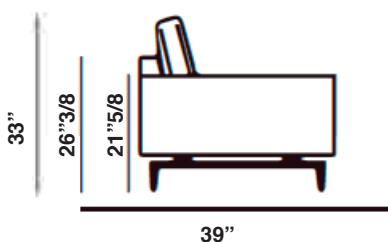
**Armrest A (5"7/8)**



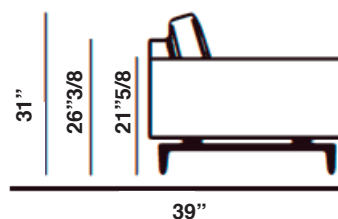
**Armrest B (9"7/8)**



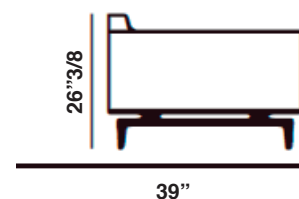
**Backrest A**



**Backrest B**



**Backrest C**



## *Sofa Dimensions (Backrest A / Armrest B)*

**Irving 186:** 73"1/4W x 39"D x 33"H - **Seat Height:** 17" - **Armrest Height:** 9"7/8

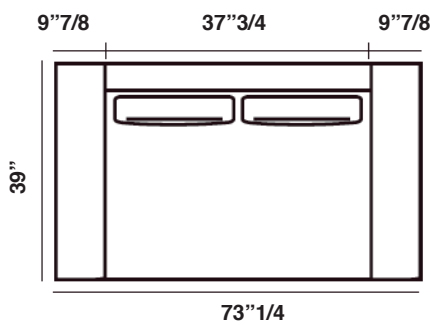
**Irving 219:** 86"1/4W x 39"D x 33"H - **Seat Height:** 17" - **Armrest Height:** 9"7/8

**Irving 246:** 96"7/8W x 39"D x 33"H - **Seat Height:** 17" - **Armrest Height:** 9"7/8

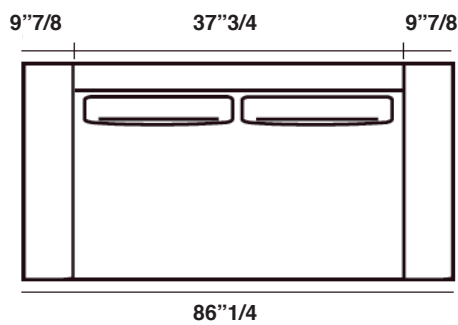
**Irving 273:** 107"1/2W x 39"D x 33"H - **Seat Height:** 17" - **Armrest Height:** 9"7/8

**Irving 322:** 126"3/4W x 39"D x 33"H - **Seat Height:** 17" - **Armrest Height:** 9"7/8

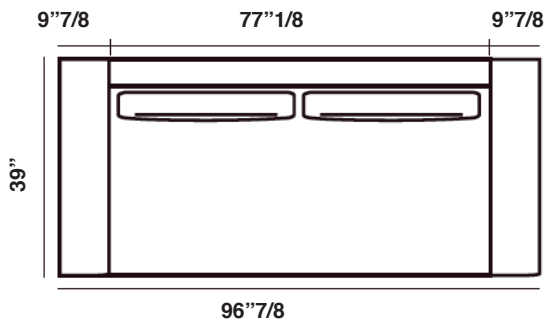
**Irving 186**



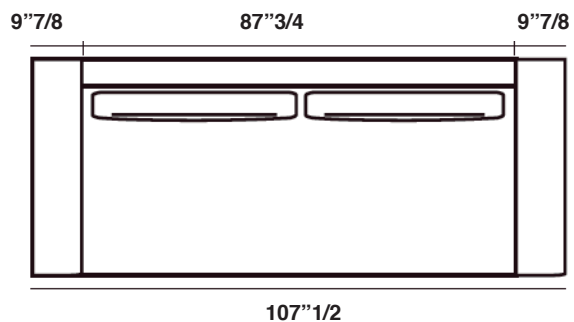
**Irving 219**



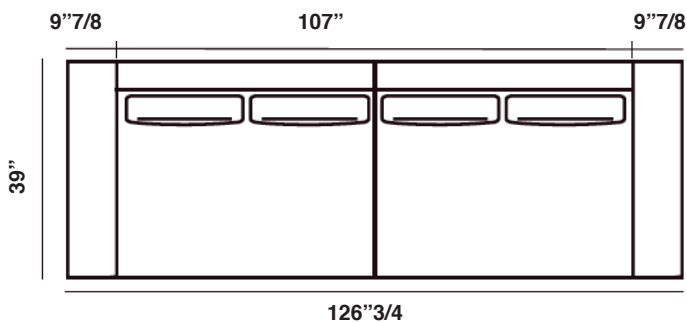
**Irving 246**



**Irving 273**



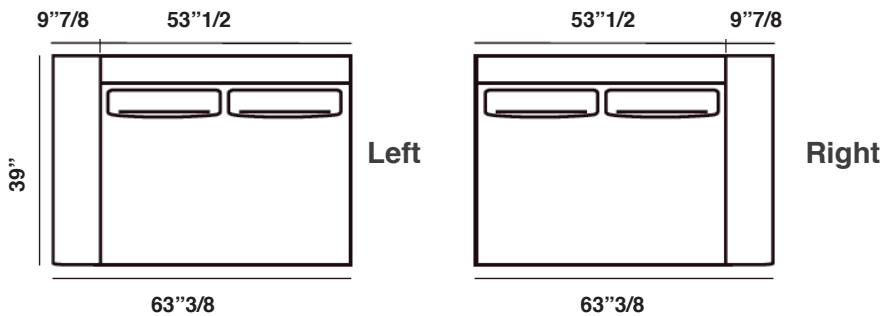
**Irving 322**



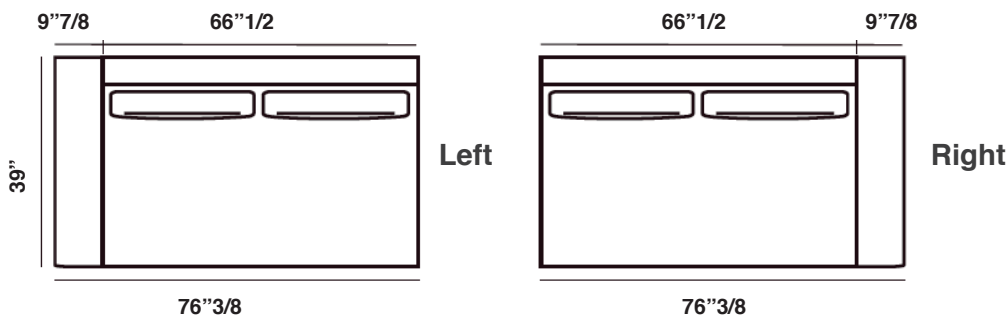
## Sections Dimensions (Backrest A / Armrest B)

Irving End Section 161 (L/R): 63<sup>3</sup>/<sub>8</sub>W x 39<sup>3</sup>/<sub>8</sub>D x 33<sup>3</sup>/<sub>8</sub>H - Seat Height: 17<sup>3</sup>/<sub>8</sub> - Armrest Height: 9<sup>7</sup>/<sub>8</sub>  
 Irving End Section 194 (L/R): 76<sup>3</sup>/<sub>8</sub>W x 39<sup>3</sup>/<sub>8</sub>D x 33<sup>3</sup>/<sub>8</sub>H - Seat Height: 17<sup>3</sup>/<sub>8</sub> - Armrest Height: 9<sup>7</sup>/<sub>8</sub>  
 Irving End Section 221 (L/R): 87<sup>3</sup>/<sub>8</sub>W x 39<sup>3</sup>/<sub>8</sub>D x 33<sup>3</sup>/<sub>8</sub>H - Seat Height: 17<sup>3</sup>/<sub>8</sub> - Armrest Height: 9<sup>7</sup>/<sub>8</sub>  
 Irving End Section 248 (L/R): 97<sup>5</sup>/<sub>8</sub>W x 39<sup>3</sup>/<sub>8</sub>D x 33<sup>3</sup>/<sub>8</sub>H - Seat Height: 17<sup>3</sup>/<sub>8</sub> - Armrest Height: 9<sup>7</sup>/<sub>8</sub>  
 Irving Corner Section 181 (L/R): 71<sup>1</sup>/<sub>4</sub>W x 39<sup>3</sup>/<sub>8</sub>D x 33<sup>3</sup>/<sub>8</sub>H - Seat Height: 17<sup>3</sup>/<sub>8</sub> - Armrest Height: 9<sup>7</sup>/<sub>8</sub>  
 Irving Corner Section 214 (L/R): 84<sup>1</sup>/<sub>4</sub>W x 39<sup>3</sup>/<sub>8</sub>D x 33<sup>3</sup>/<sub>8</sub>H - Seat Height: 17<sup>3</sup>/<sub>8</sub> - Armrest Height: 9<sup>7</sup>/<sub>8</sub>  
 Irving Corner Section 241 (L/R): 94<sup>7</sup>/<sub>8</sub>W x 39<sup>3</sup>/<sub>8</sub>D x 33<sup>3</sup>/<sub>8</sub>H - Seat Height: 17<sup>3</sup>/<sub>8</sub> - Armrest Height: 9<sup>7</sup>/<sub>8</sub>  
 Irving Corner Section 268 (L/R): 105<sup>1</sup>/<sub>2</sub>W x 39<sup>3</sup>/<sub>8</sub>D x 33<sup>3</sup>/<sub>8</sub>H - Seat Height: 17<sup>3</sup>/<sub>8</sub> - Armrest Height: 9<sup>7</sup>/<sub>8</sub>  
 Irving Dormeuse (L/R): 88<sup>1</sup>/<sub>8</sub>W x 39<sup>3</sup>/<sub>8</sub>D x 33<sup>3</sup>/<sub>8</sub>H - Seat Height: 17<sup>3</sup>/<sub>8</sub> - Armrest Height: 9<sup>7</sup>/<sub>8</sub>  
 Irving Chaise Lounge (L/R): 48<sup>3</sup>/<sub>8</sub>W x 61<sup>7</sup>/<sub>8</sub>D x 33<sup>3</sup>/<sub>8</sub>H - Seat Height: 17<sup>3</sup>/<sub>8</sub> - Armrest Height: 9<sup>7</sup>/<sub>8</sub>  
 Irving Central Section 136: 52<sup>1</sup>/<sub>2</sub>W x 39<sup>3</sup>/<sub>8</sub>D x 33<sup>3</sup>/<sub>8</sub>H - Seat Height: 17<sup>3</sup>/<sub>8</sub>  
 Irving Central Section 169: 66<sup>1</sup>/<sub>2</sub>W x 39<sup>3</sup>/<sub>8</sub>D x 33<sup>3</sup>/<sub>8</sub>H - Seat Height: 17<sup>3</sup>/<sub>8</sub>  
 Irving Central Section 196: 77<sup>1</sup>/<sub>8</sub>W x 39<sup>3</sup>/<sub>8</sub>D x 33<sup>3</sup>/<sub>8</sub>H - Seat Height: 17<sup>3</sup>/<sub>8</sub>  
 Irving Central Section 223: 87<sup>3</sup>/<sub>4</sub>W x 39<sup>3</sup>/<sub>8</sub>D x 33<sup>3</sup>/<sub>8</sub>H - Seat Height: 17<sup>3</sup>/<sub>8</sub>  
 Ottoman 1: 39<sup>3</sup>/<sub>8</sub>W x 39<sup>3</sup>/<sub>8</sub>D x 16<sup>1</sup>/<sub>2</sub>H  
 Ottoman 2: 39<sup>3</sup>/<sub>8</sub>W x 27<sup>1</sup>/<sub>8</sub>D x 16<sup>1</sup>/<sub>2</sub>H  
 Ottoman 3: 44<sup>1</sup>/<sub>2</sub>W x 38<sup>3</sup>/<sub>8</sub>D x 16<sup>1</sup>/<sub>2</sub>H

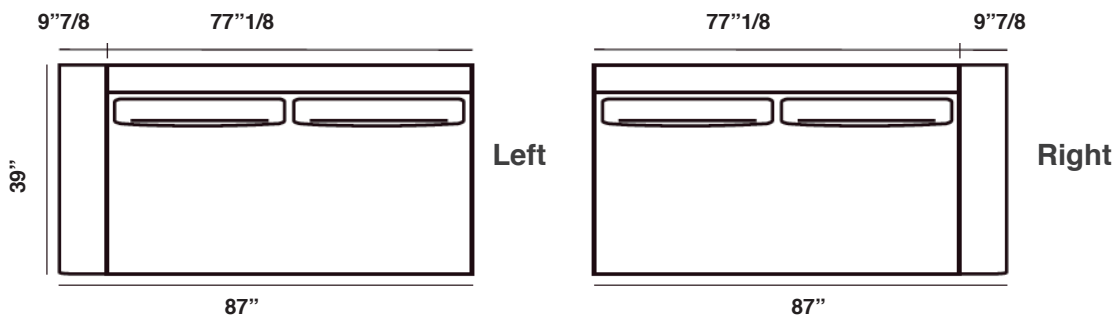
### Irving End Section 161



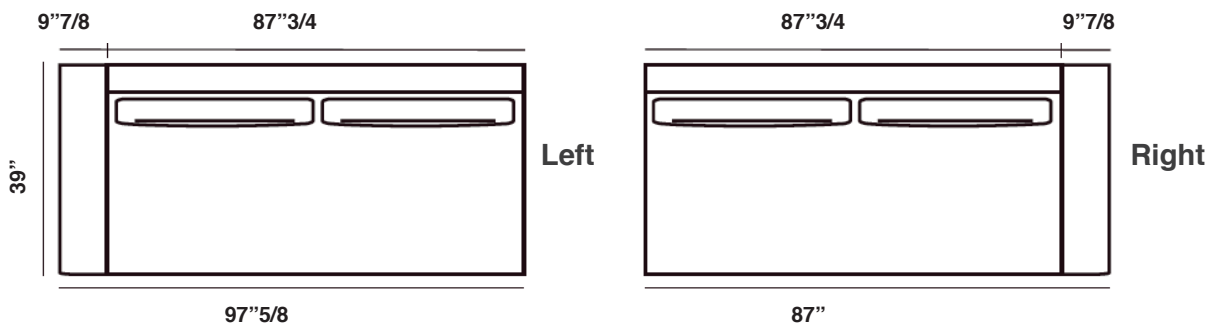
### Irving End Section 194



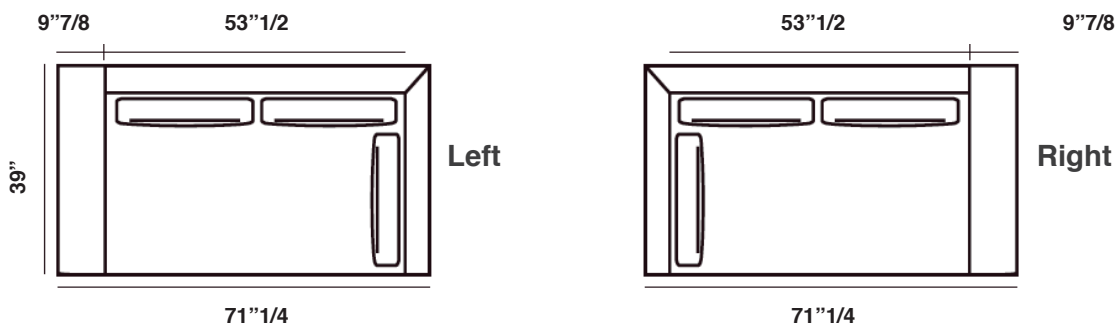
## Irving End Section 221



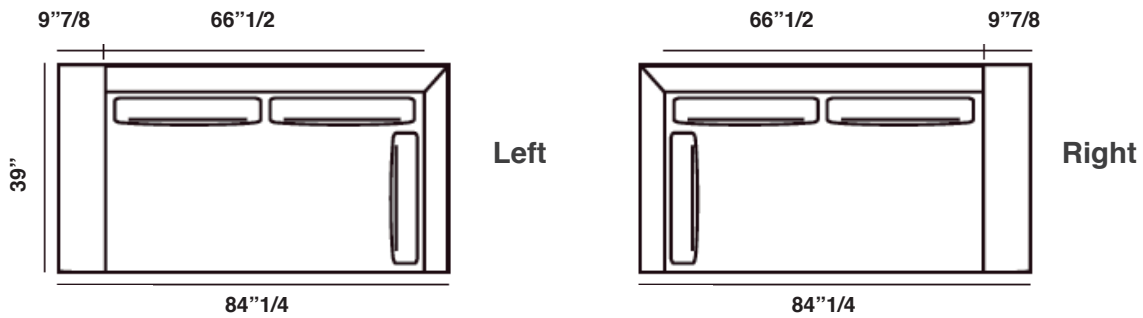
## Irving End Section 248



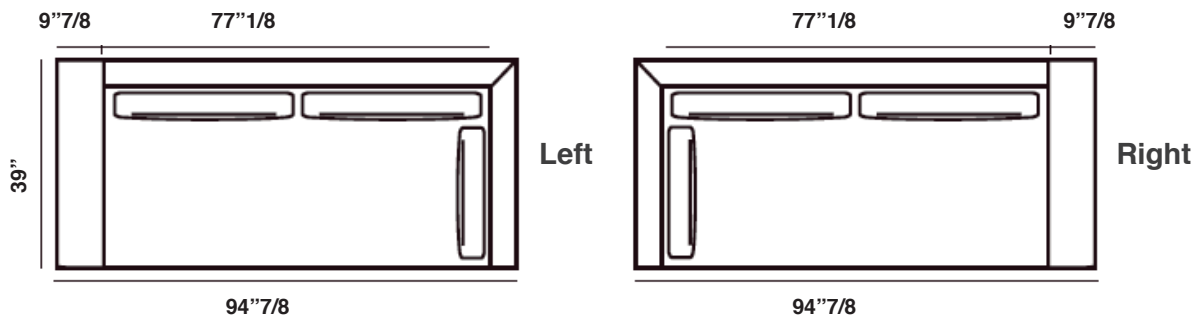
## Irving Corner Section 181



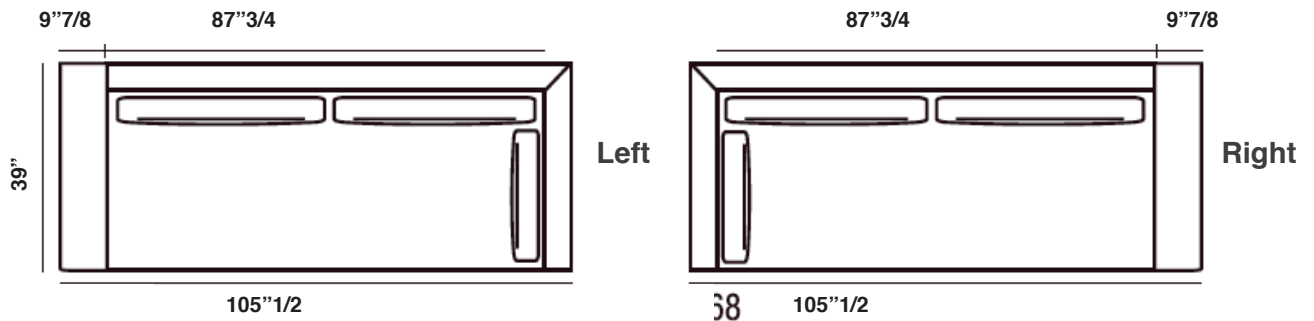
## Irving Corner Section 214



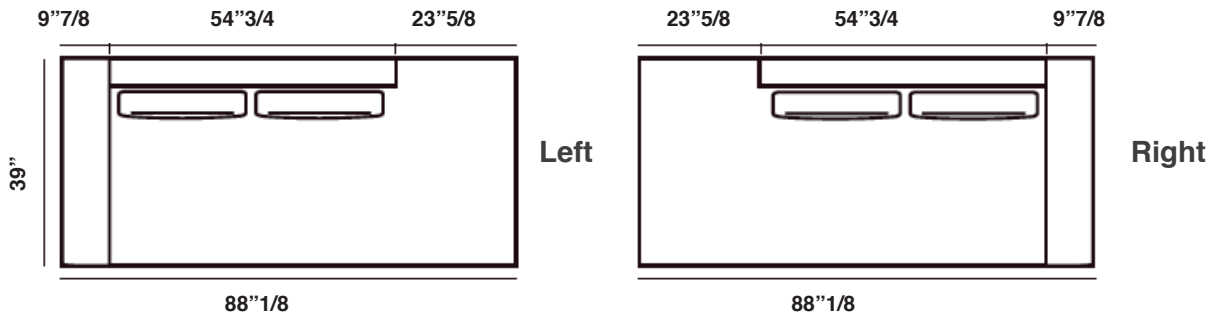
## Irving Corner Section 241



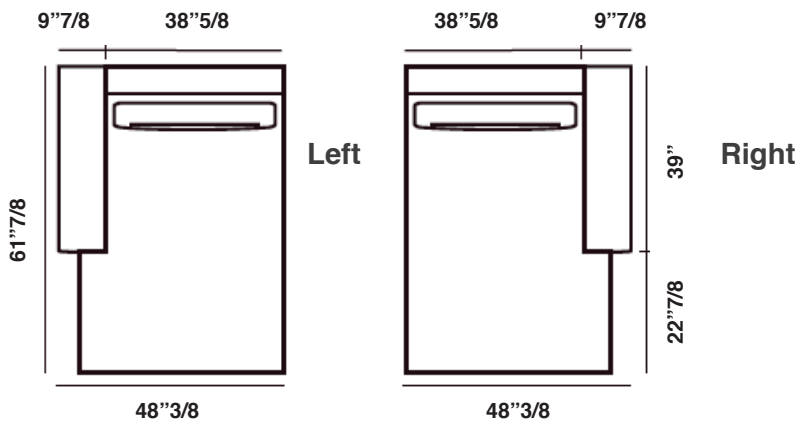
## Irving Corner Section 268



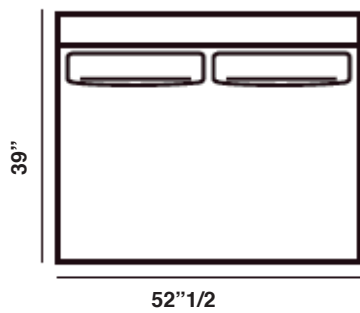
## Irving Dormeuse



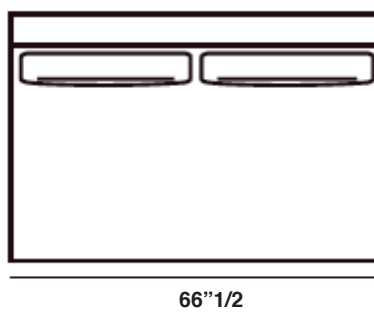
## Irving Chaise Lounge



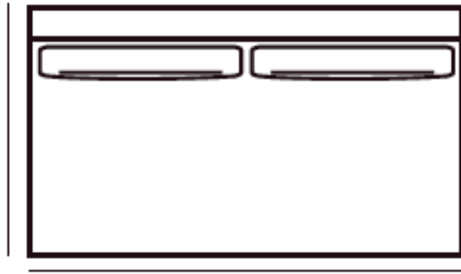
## Irving Central Section 136



## Irving Central Section 169

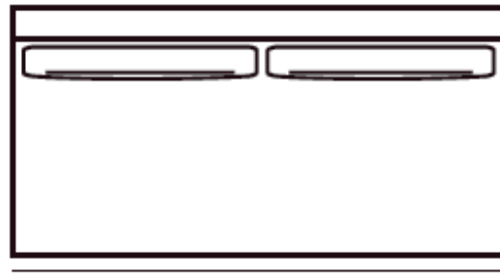


Irving Central Section 196



77"1/8

Irving Central Section 223

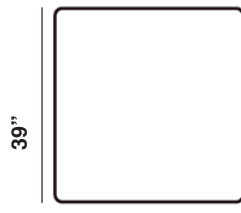


87"3/4

Ottoman 1



16"1/2



39"

39"

Ottoman 2



27"1/8

39"

Ottoman 3

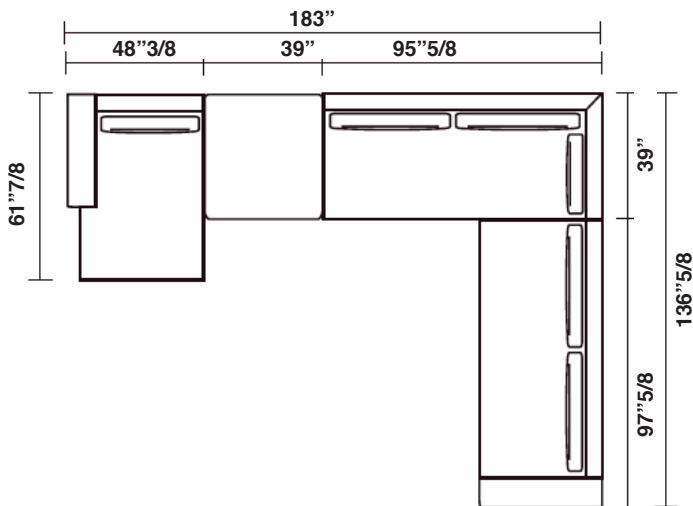


30"3/8

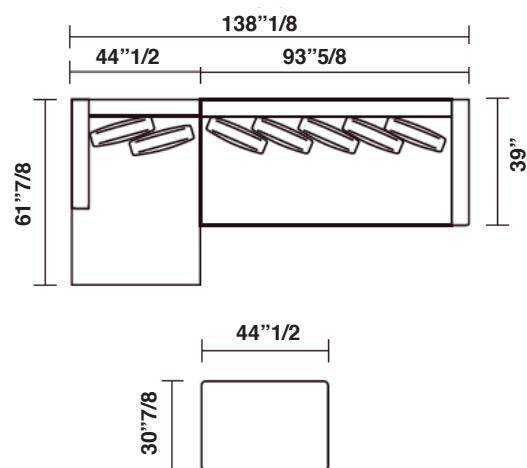
44"1/2

## Compositions

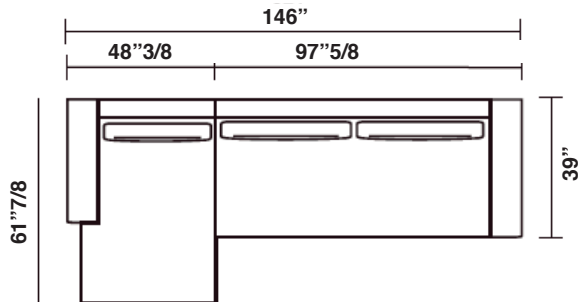
Composition A



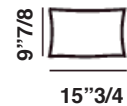
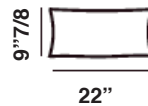
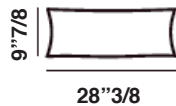
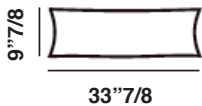
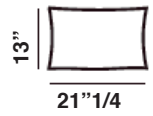
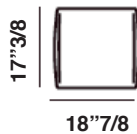
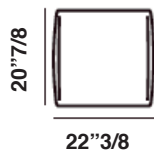
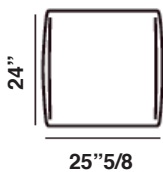
Composition B



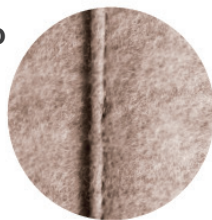
## Composition C



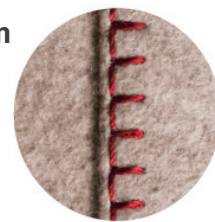
## Cushions



Stitching  
Punto Cavallo



Simple  
Lapped seam



## Finishes and materials

**Frame:** Solid wood and plywood.

**Feet:** Chrome, white matt, red matt or grey matt painted.

**Padding:** Differentiated density non-deformable polyurethane foam.

**Optional feather cushions.**