

Semai

Design: Alberto Saggia e Valerio Sommella



Description

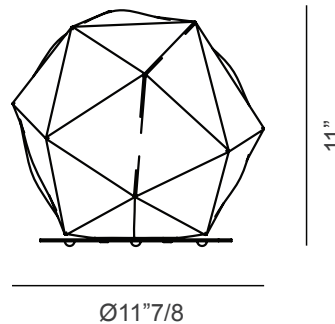
Table lamp with metal base and diffuser made of a glass mouth blown into a steel cage. This free blowing technique makes each lamp always different. Made in Italy.

Light source:

E12 1 x 40W. Not dimmable.

Dimensions

Semai LT P: Ø11"7/8 x 11"H



Finishes and materials

Metal parts: Glossy White (BC).

Diffuser: Glossy White glass (BC/LU).

(For more specifications, please refer to "Finishes & Materials")