

## Question Mark

*Design: Stefan Heiliger*

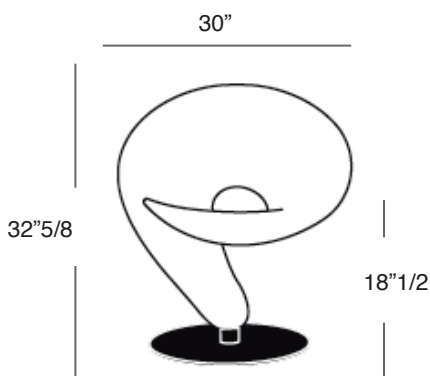


### **Description**

Steel frame covered with injected flame retardant polyurethane foam.  
Central column and round base in polished or matt chrome steel.  
360° swivel with memory return.

### **Dimensions**

30"W x 25"5/8D x 32"5/8H - **Seat Height: 18"1/2**



\*Depth: 25"5/8

### **Base Finishes**



**F040**  
chrome steel



**F047**  
matt chromed steel

### **Finishes and materials**

**Shell:** Injected polyurethane foam.

**Upholstery:** Fabric or leather.

**Base :** Polished or matt chrome steel.

*(For more specifications, please refer to "Finishes & Materials")*