

## Wave

*Design: Peter Maly*

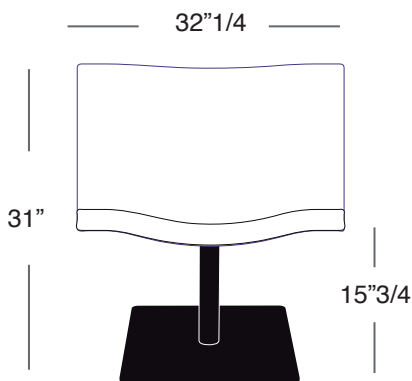


### *Description*

Lounge Chair in injected flame retardant foam over a steel frame. Base in polished or matt chrome steel. Available in fixed or swivelling version.

### *Dimensions*

32"1/4W x 29"1/8D x 31"H - **Seat Height: 15"3/4**



\*Depth: 29"1/8

### *Base Finish*



**F040**  
chrome steel



**F047**  
matt chromed steel

### *Finishes and materials*

**Upholstery:** Fabric, leather or eco-leather.

**Frame:** Polished or matt steel.

*(For more specifications, please refer to "Finishes & Materials")*