

# Kalika

*Design: Massimo Iosa Ghini*

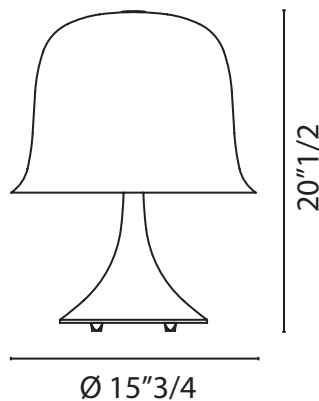


## *Description*

Kalika is a table lamp in Murano glass.  
Murano color: Crystal "RIGADIN".  
Structure in satin nickel.

## *Dimensions*

**Cod. 832.21**  
Ø 15"3/4 x 20"1/2H  
15W LED - Dimmer



## *Finishes and materials*

Structure in Murano: Crystal "RIGADIN".  
Structure in Metal: Satin Nickel.

*(For more specifications, please refer to "Finishes & Materials")*