

Anni Trenta



Description

Wall lamp in hand-made blown Murano glass with metal details. Available colors: Milk-White Murano shade with black chrome plated metal details and Straw Yellow Murano shade with gold plated details.

Comes in two different sizes.

Also presented as a table lamps, floor lamps, ceiling lamp and suspension lamp.

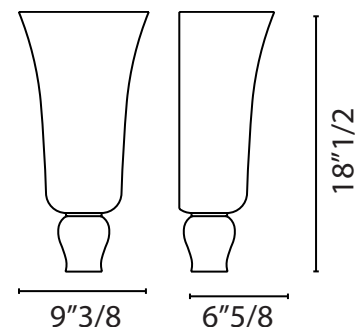
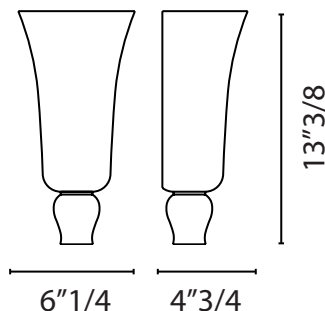
Dimensions

Cod. 830.02

6"1/4W x 4"3/4D x 13"3/8H
1 x max 60W E26

Cod. 830.03

9"3/8W x 6"5/8D x 18"1/2H
1 x max 100W E26



Finishes and materials

Murano: Milk-White or Straw Yellow.

Metal in: Black chrome finish for Milk-White shade and Gold finish for Straw Yellow shade color.

(For more specifications, please refer to "Finishes & Materials")