

Kitami

Design: Massimo Tonetto



Description

Wall lamp with diffused light. Metal structure available in polished or matt black nickel, polished gold or light burnished brass finish. Diffusers in satin glass.

Supply: Terminal block.

Dimmable 0-10V.

Dimmable ballast included.

Light source:

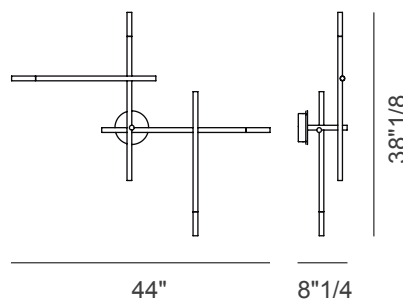
4xMAX 2W G4 LED 200lm

2700°K - Dimmable.

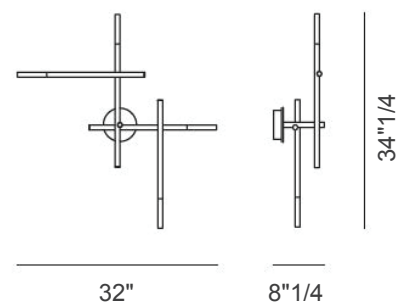
Bulbs are not included.

Made in Italy.

Standard



Small



Dimensions

Kitami Standard:

44"W x 8"1/4 x 38"1/8H

Kitami Small:

32"W x 8"1/4 x 34"1/4H

Finishes and materials

Structure: Polished or matt black nickel metal, polished gold metal or light burnished brass finish.

Diffusers: Satin glass.

(For more specifications, please refer to "Finishes & Materials")