

Jacqueline

Design: Daniel Debiasi & Federico Sandri



Description

Portable and rechargeable table/floor lamp with structure in brushed metal and leather details in the following combinations:

- Gold/Mustard;
- Graphite/Anthracite;
- Powder Pink/Chestnut;
- Blue/Night Blue.

Available in two sizes: Small and Large.

Large version can be rechargeable or with wire.

Small version is always rechargeable.

Light Source:

Small rechargeable: 6W - LED 3000K 600lm Dimm. 3 int.

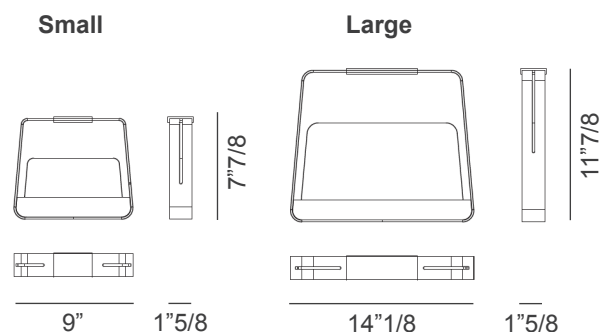
Large rechargeable: 11W - LED 3000K 1200lm Dimm. 3 int.

Large with wire: 13W - LED 3000K 1500lm Dimmer

Dimensions

Small: 9"W x 1"5/8D x 7"7/8H

Large: 14"1/8W x 1"5/8D x 11"7/8H



Finishes and materials

Structure: Metal with leather details in the following combinations: Gold/Mustard, Graphite/Anthracite, Powder Pink/Chestnut or Blue/Night Blue.

(For more specifications, please refer to "Finishes & Materials")