

## Gaius

*Design: Giuseppe Viganò*



### *Description*

Bar cabinet in smoked crystal boxed by UV bonding with internal wooden box completely veneered, with flap opening with damped mechanism.

Side crystal doors with frosted brass pendant handles.

Central column in veneered wood and base in satinized stainless steel.

### *Dimensions*

31"1/2W x 17"3/8D x 51"5/8H

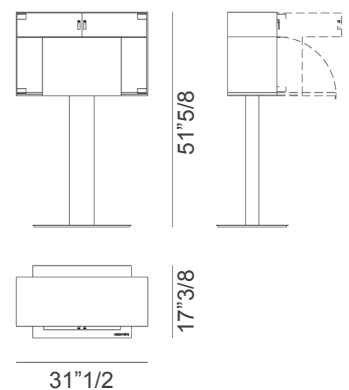
### *Finishes and materials*

**Box Structure:** Veneered wood and smoked crystal.

**Column:** Veneered wood.

**Handles:** Frosted brass.

**Base:** Satinized stainless steel, available in different colors.



(For more specifications, please refer to "Finishes & Materials")