

Accademia

Design: Tulczinsky



Description

Suspension lamp in blown Murano glass in sputtering finish bronze, silver or copper. Steel support in polished finish or in Bronze finish. LED lighting system.

Light source: 6W SPOT GU10 110-240V.

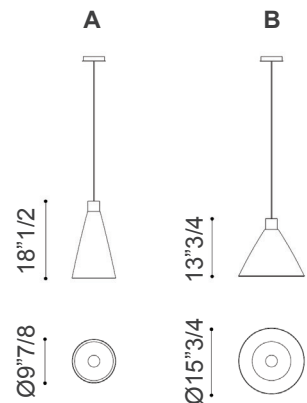
Made in Italy.

Dimensions

A) Ø9"7/8 x 18"1/2H + 51"1/8 or 236"1/4maxH of Cables

B) Ø15"3/4 x 13"3/4H + 51"1/8 or 236"1/4maxH of Cables

Adjustable height.



Finishes and materials

Lampshade: blown Murano glass in sputtering finish bronze, silver or copper.

Structure: Steel in polished or Bronze finish.

(For more specifications, please refer to "Finishes & Materials")