

Up

Design: Martin Ballendat



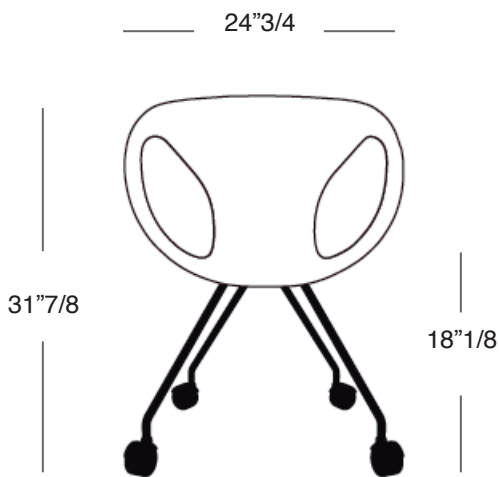
Description

Chair with metallic frame and shell in high density integral polyurethane "medium soft touch".

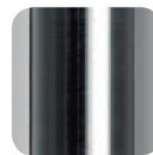
Legs in polished chrome steel.

Dimensions

24"3/4W x 22"3/8D x 31"7/8H - **Seat Height: 18"1/8**



Base Finish



F040 polished steel

*Depth: 18"1/8

Finishes and materials

Shell: Integral polyurethane ("soft touch").

Base: Polished chrome steel.

Optional cushion in fabric or leather.

(For more specifications, please refer to "Finishes & Materials")