

Make-Up



Description

Wall lamp with metal structure and diffuser made in blown glass. Mounts directly to a 4" Standard J-Box. Lamps can be daisy chained up to a maximum of 50 devices for each point of power supply. LED included. Made in Italy.

Light Source Small:

LED 3000K • 9W | 850 lm • 120V
CRI 92 • MacAdam 3–Step • Dim Triac.

Light Source Medium and Large:

LED 3000K • 17W | 1800 lm • 120V
CRI 92 • MacAdam 3–Step • Dim Triac.

Finishes and materials

Structure: Matt white metal.

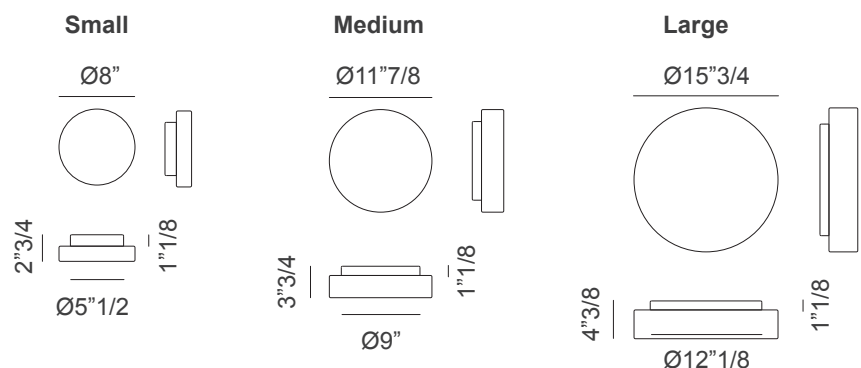
Diffuser: Matt white blown glass.

Dimensions

Small: Ø8" x 2"3/4D

Medium: Ø11"7/8 x 3"3/4D

Large: Ø15"3/4 x 4"3/8D



(For more specifications, please refer to "Finishes & Materials")