

# Nautilus

*Design: Andrea Tosetto*



## *Description*

Modular suspension lamp with structure and diffuser made in metal. Up to 9 “Additional Modules” can be added to each “Starting Module”. Accessories are available upon request. Dimmable with phase cut dimmer. LED included. Made in Italy.

### **Light Source:**

LED 3000K • 4x15W | 4620 lm • 120V • CRI 92 • MacAdam 3–Step.

## *Finishes and materials*

**Structure:** Chrome metal.

**Diffuser:** Matt white, matt black or chrome metal.

(For more specifications, please refer to “Finishes & Materials”)

## Nautilus

### Dimensions

#### Single & starting module:

39"3/8W x 13"3/4D x 1"3/8H + 78"3/4 of tensors.

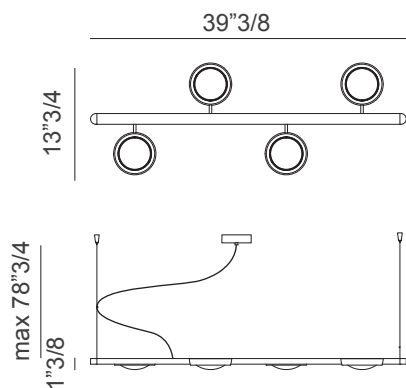
#### Lineal composition:

~102"3/8W x 13"3/4D x 1"3/8H + 78"3/4 of tensors.

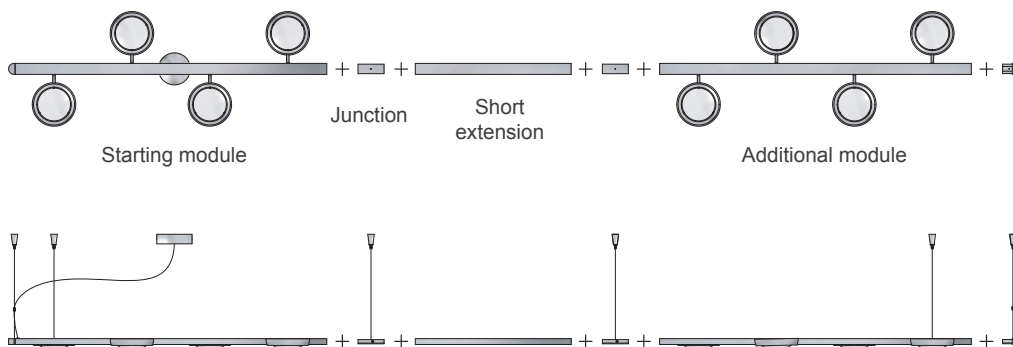
#### Angular composition:

~86"1/4W x ~43"5/8D x 1"3/8H + 78"3/4 of tensors.

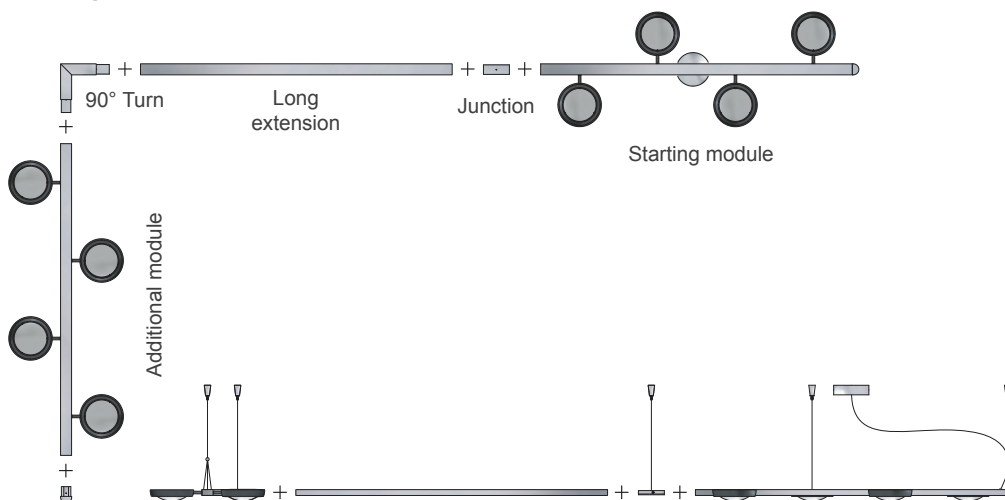
#### Single & starting module



#### Lineal composition



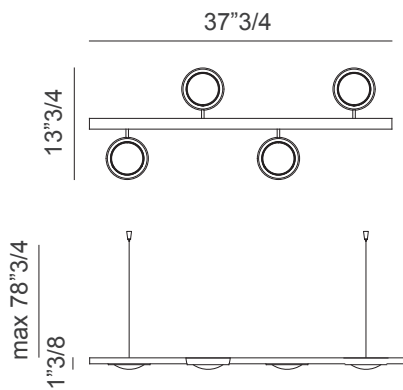
#### Angular composition



## Nautilus

### Optionals

#### Additional module

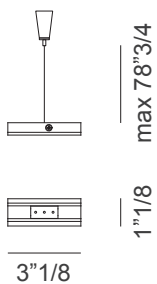


#### Additional module:

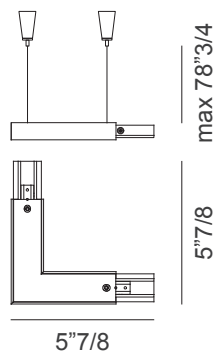
$37\frac{3}{4}W \times 13\frac{3}{4}D \times 1\frac{3}{8}H + 78\frac{3}{4}$  of tensors.

#### Accessories

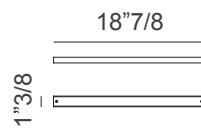
##### Junction



##### 90° Turn



##### Short Extension



##### Long Extension

