

Armonia

Design: Francesco Lucchese



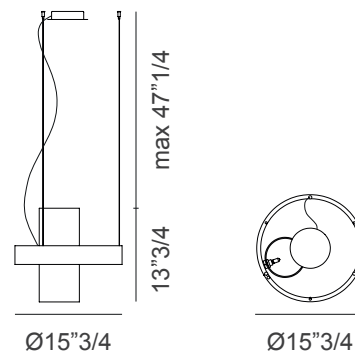
Description

Suspension lamp made with a metal ring frame around a glass cylinder diffuser available in different finishes and colors. Made in Italy.

Light source: G9 1 x 60W.
Dimmed with a “phase cut” system (DIM 1).

Dimensions

Armonia SP 40:
Ø15”3/4 x 13”3/4
+ 47”1/4H of Tensors and Canopy.



Finishes and materials

Frame: Metal in Black Brass (N-O) or Black Copper (N-R) finish.

Diffuser: Glass in Amber “Balloton” (AM/BT) or Crystal “Balloton” (CR/BT) finish.

(For more specifications, please refer to “Finishes & Materials”)