

Lafleur

Design: Marc Sadler



Description

Rechargeable battery powered table lamp with handcrafted diffuser in Lentiflex®. The lamp has a magnetic base and comes with a complimentary metal anchor, fit to go under a tablecloth, or screwed into the wall, turning Lafleur into an applique. USB/DC plug included. Made in Italy.

Finishes and materials

Lentiflex® and copper wires

■ PRISMA



(For more specifications, please refer to “Finishes & Materials”)

Lafleur

Dimensions

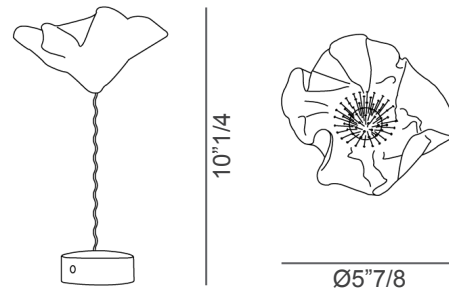
Ø5"7/8W x 10"1/4H

Light source:

LED: 1.3 W dimmable LED – 150 Lumen
 2700 Kelvin - Rechargeable Li-ion
 Polymer Cell 3.7 Vdc 2500 mAh
 Charge 5 Vdc 1 A

Battery duration:

at max. intensity around 6,5 hours duration,
 at min. intensity around 60 hours duration

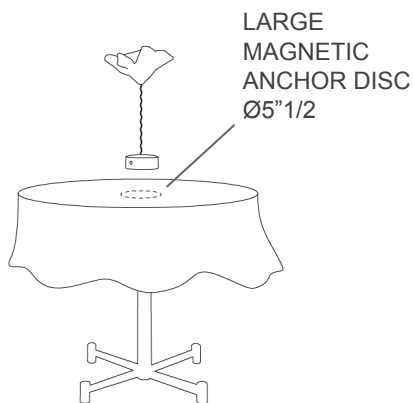


COMPLEMENTARY
 ANCHOR DISC FOR
 WALL (INCLUDED)

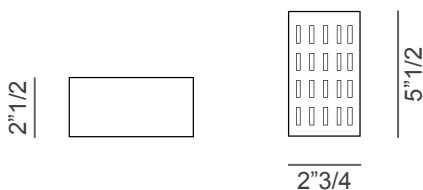


Ø2"7/8

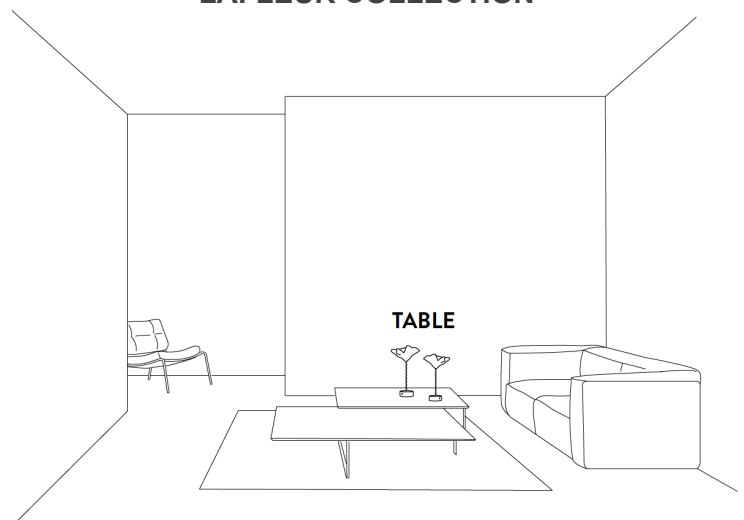
Optional accessories:



USB MULTICHARGER
 STATION - 20 PORTS



LAFLEUR COLLECTION



(For more specifications, please refer to "Finishes & Materials")