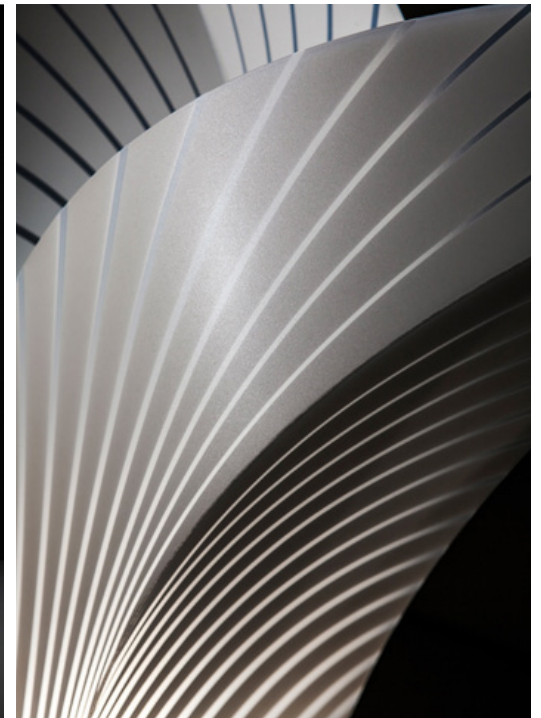


# Las Palmas

*Design: Jonas Clementoni*



## *Description*

Floor lamp with stainless steel base and structure.  
Diffuser made of Opalflex® and polycarbonate.  
Made in Italy.

## *Finishes and materials*

**Base & Structure:** Stainless steel.

**Diffuser:** Opalflex®

WHITE



(For more specifications, please refer to “Finishes & Materials”)

## Las Palmas

### Dimensions

**A:** 14"3/4W x 12"5/8D x 46"3/8H

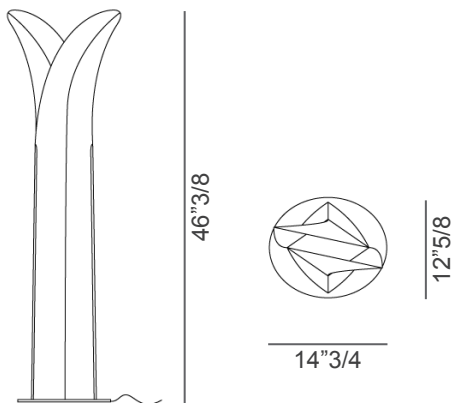
**B:** 17"1/2W x 15"3/4D x 60"3/8H

### Light source:

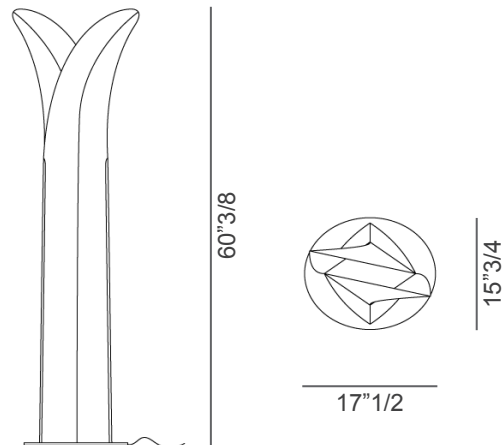
**A:** 2 X E26 - 12W LED Filament 

**B:** 3 X E26 - 12W LED Filament 

**A**



**B**



### LAS PALMAS COLLECTION



(For more specifications, please refer to "Finishes & Materials")