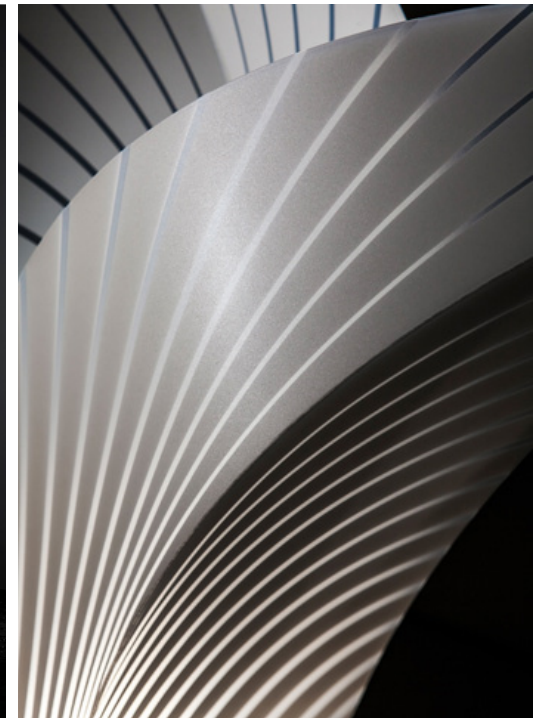


# Las Palmas

*Design: Jonas Clementoni*



## *Description*

Table lamp with stainless steel base and structure.  
Diffuser made of Opalflex® and polycarbonate.  
Made in Italy.

## *Finishes and materials*

**Base & Structure:** Stainless steel.

**Diffuser:** Opalflex®

WHITE



(For more specifications, please refer to “Finishes & Materials”)

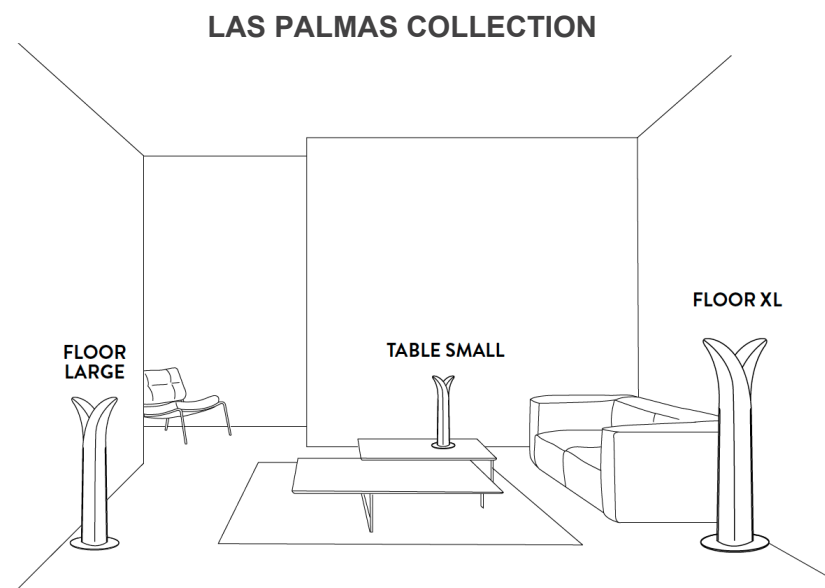
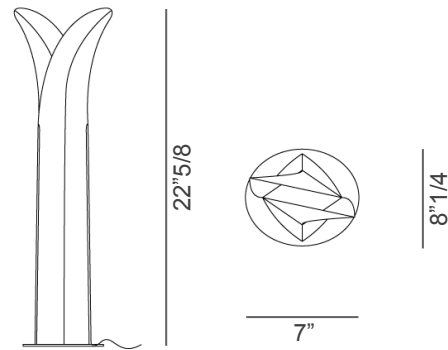
## Las Palmas

### Dimensions

7"W x 8"1/4D x 22"5/8H

#### Light source:

 1 X E12 - 6W LED Filament



(For more specifications, please refer to "Finishes & Materials")