

Il Pezzo 12

Design: Barbara Bertocci and Cosimo Terzani



Description

Round suspension lamp made with solid clearest crystal, illuminated by two LEDs which creates diffused ambient lighting and casts amazing patterns around the room. It's suspended between brass stems and brass casting rings, available in different finishes. At the end of each stem, another LED spreads a direct light. Each lamp is numbered and hides its own identity stamp that seals and guarantees the authenticity and uniqueness. Available in custom sizes and finishes. Made in Italy.

Specifications with 1 pendant:

1 crystal • 3 replaceable LEDs
EU 1.122 lm - 11 W • US 822 lm - 7 W
2.700 K - CRI > 90 • Dimmable Triac 230v/110v

Specifications with 3 pendants:

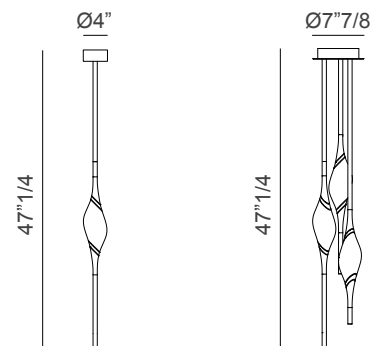
3 crystals • 9 replaceable LEDs
EU 3.366 lm - 31 W • US 2.466 lm - 20 W
2.700 K - CRI > 90 • Dimmable Triac 230v/110v



Dimensions

With 1 pendant: Ø4" x 47" 1/4H

With 3 pendants: Ø7" 7/8 x 47" 1/4H



Finishes & Materials

Diffuser: Clear crystal.

Structure: Metal (Black and Gold / Nickel / Gold / Light bronze / Champagne).

* For more specifications, please refer to the "Finishes & Materials" PDF