

# Alexandria

*Design: Barovier&Toso*



## *Description*

A collection of chandeliers with fabric lampshades. Four models available, whose distinctive sign is the reduced height (18"1/8 for the smallest model up to a maximum of 27"1/2), particularly suitable to illuminate rooms whose height would not allow the use of a "normal" chandelier. The lampshade is pleated and completely in fabric. UL listed.

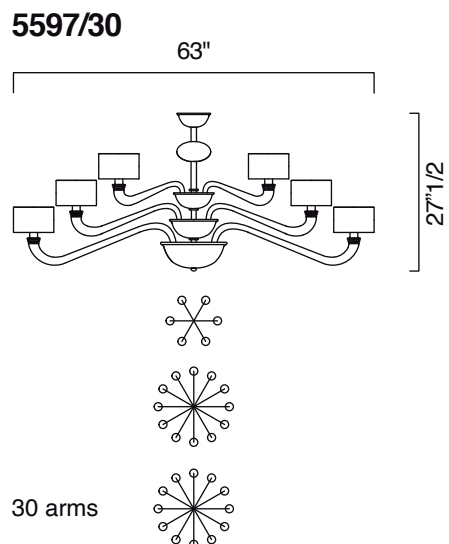
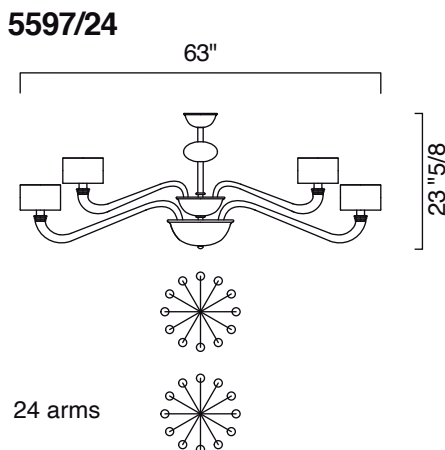
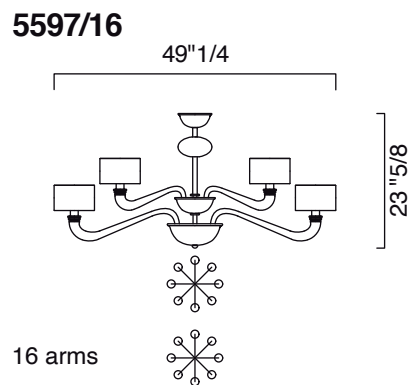
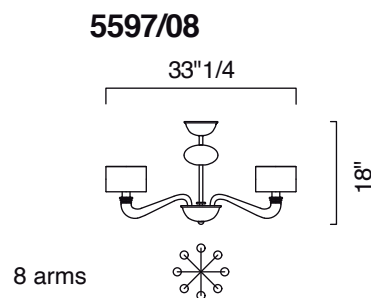
Made in Italy.

## Alexandria

### Dimensions

- A) 5597/08: Ø 33"1/4 x 18"H
- B) 5597/16: Ø 49"1/4 x 23"5/8H
- C) 5597/24: Ø 63"x 23"5/8H
- D) 5597/30: Ø 63"x 27"1/2H

- 5597/08: 8 E12 x 60W - Dimmable - Not included
- 5597/16: 16 E12 x 60W - Dimmable - Not included
- 5597/24: 26 E12 x 60W - Dimmable - Not included
- 5597/30: 30 E12 x 60W - Dimmable - Not included



### Finishes and materials

Structure in Murano: Venetian Crystal in different colors.  
 Lampshade in Fabric: Pongee Ribbon.  
 Inner Structure: Metal.