

Palmette

Design: Barovier&Toso



Description

A series of striking lighting units based on sectional elements that can be assembled to make anything from simple domestic wall sconce to large hanging lamps for most distinguished spaces. It comes in clear crystal and gilded metal parts only.

Available Color: Crystal

Palmette

Dimensions

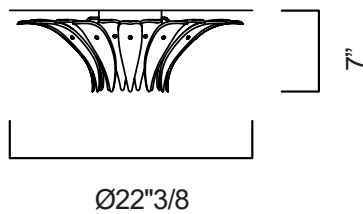
7501-00 (1 level): Ø22"3/8 x 7"H

7501-04 (2 levels): Ø31"1/2 x 13"H

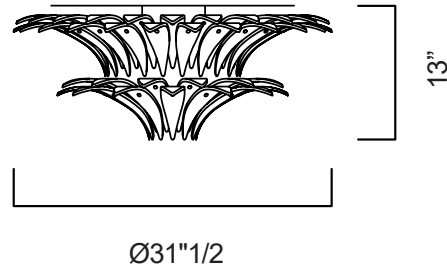
7501-03 (3 levels): Ø39"3/8 x 18"7/8H

7501-02 (4 levels): Ø47"1/4 x 25"1/8H

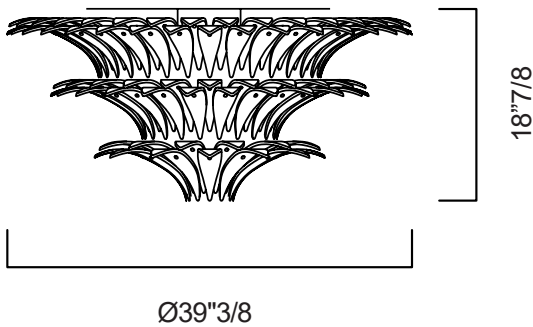
7501-00



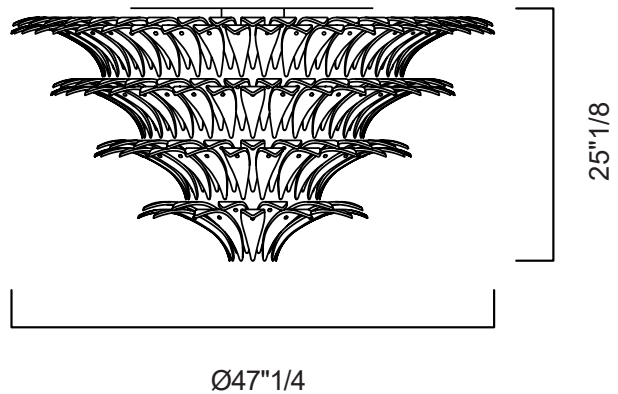
7501-04



7501-03



7501-02



Finishes and materials

Structure in Murano: Crystal.

Details in: Polished chrome or Galvanized gold.

(For more specifications, please refer to "Finishes & Materials")