

Palmyra

Design: Barovier&Toso



Description

Palmyra is a very light chandelier, characterized by a sinuous line, able to embellish and illuminate any environment with its LED technology. Its superimposed arms are made of anodized steel and have a curved profile, from which hang many glass fiber twisted elements made following the pastoral processing of the ancient Murano glass tradition, suspended to the frame by fine metal rings. Powerful LED stripes are the light sources, supplied with the suspension. It allows numerous possible combinations, from a two-dimensional version – with one arm – to the model with 4 arms, also of different lengths, to obtain asymmetric architecture. The size of the chandelier may increase and grow in diameter and height, in the case of custom designs.

Palmyra

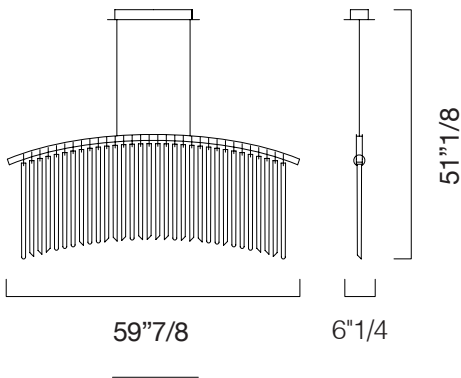
Dimensions

7270: 59"7/8W x 6"1/4D x 51"1/8H (1 pendant)

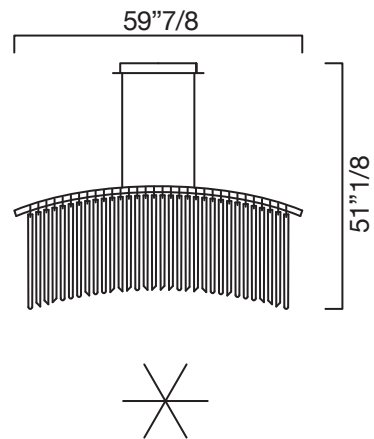
7271: 59"7/8W x 59"7/8D x 51"1/8H (3 pendants)

7272: 76"3/8W x 52"D x 51"1/8H (3 pendants asymmetrical)

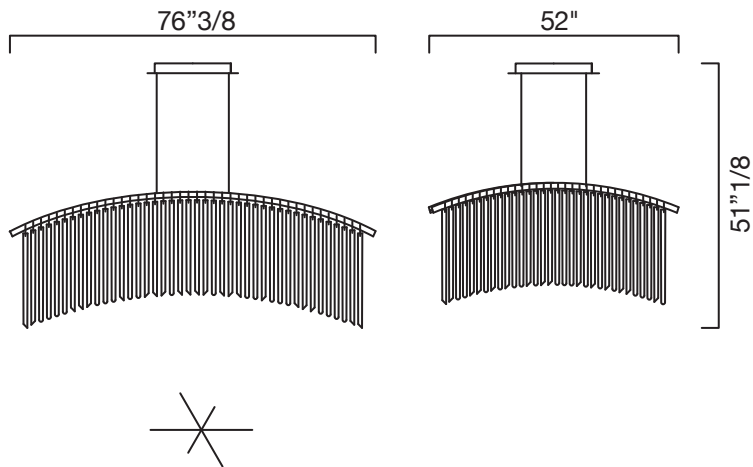
7270



7271



7272



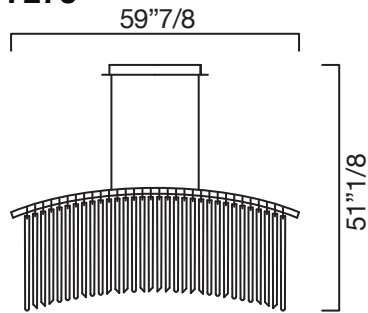
Palmyra

Dimensions

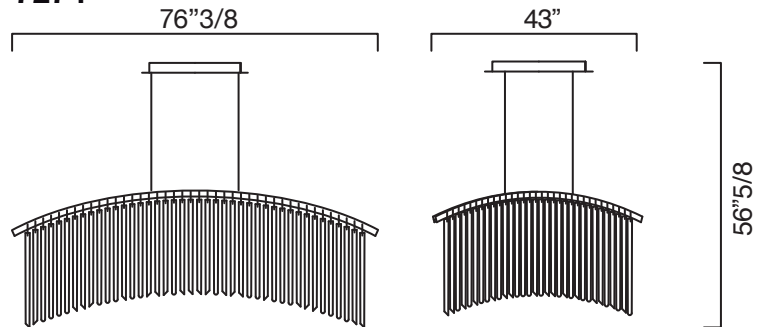
273: 59"7/8W x 59"7/8D x 51"1/8H (4 pendants)

7274: 76"3/8W x 43"D x 56"5/8H (4 pendants asymmetrical)

7273



7274



Finishes and materials

Frame in Metal: Anodized steel in Black or Silver.

Metal Rings: Galvanized gold or Inox finish.

Elements in Murano: Glass fiber twisted in Crystal.

(For more specifications, please refer to "Finishes & Materials")