

73



Description

73 results from blowing liquid glass into a folded and highly heat-resistant ceramic fabric vessel. The resulting shape has a formal and textural expression intuitively associated with fabric, which becomes permanent and rigid as it cools. A flat LED is positioned to fill the resulting volume with diffuse light, accentuating the volumetric perception of the piece.

For 73.3, each pendant comes standard with 118"1/8 of coaxial cable. Up-charge applies for lengths over 118"1/8. Cable length can be adjusted on site. White, black or brushed nickel canopy.

Regarding 73.8, longest and shortest lengths are determined by client, Bocci fabricates all lengths between these measurements. Specified shortest and longest lengths are from the underside of the canopy to the underside of the pendant.

There may be variance of $\pm 1/8$ " on specified shortest and longest lengths.

Up-charge applies for cable lengths over 118"1/8.

Lamps and power supplies are included.

Pendants available in clear, grey 1, grey 2 or grey 3.

Lamp: 1W LED, 2700K, 100lm

Materials: Blown glass, braided metal coaxial cable, electrical components, steel canopy.

Power Supply: Integral.

Environment: Indoor, dry location. IP30

73

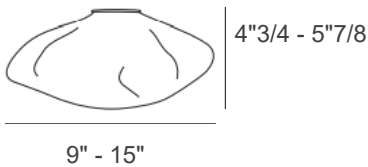
Dimensions

73.3)
Round: Ø8"

73.8)
Rectangular: 33"1/2W x 11"1/8D
Round: Ø20"

Pendant: 9" - 15"W x 4"3/4 - 5"7/8D

Pendant



73.3) three pendants



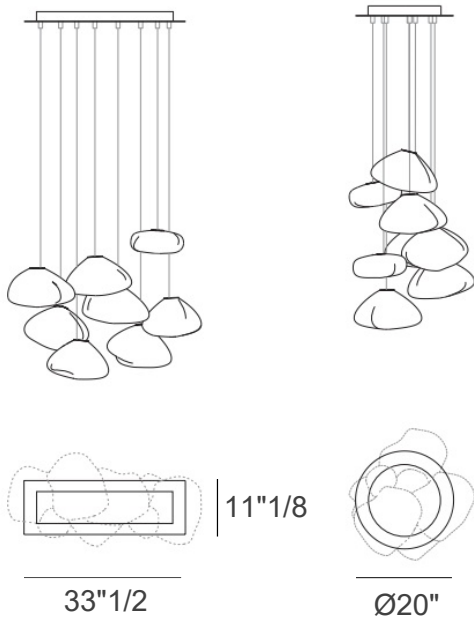
Standard Coaxial Cable Length:

- 118"1/8

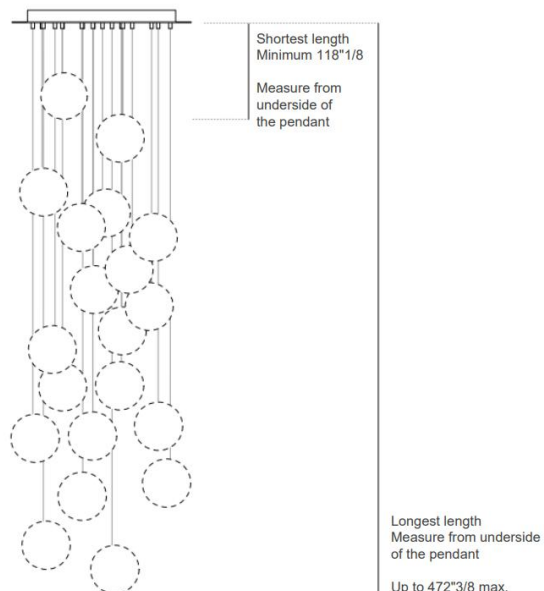
Additional Coaxial Cable Lengths:

- 236"1/4
- 354"3/8
- 472"3/8
- 590"1/2
- 708"5/8
- 826"3/4
- 944"7/8
- 1063"

73.8) eight pendants



Length Measuring Guide



Best practices for wiring multiple single pendant fixtures with remote mounted power supplies:

- Multiple single pendant fixtures should be wired in parallel. DO NOT wire in series.
- Bocci recommends a home run line for each fixture location to avoid significant voltage drop.
- Calculations for distance to the power supply, or required wire gauge in order to avoid voltage drop, are the responsibility of the installing party