

# Loto

*Design: Annarosa Romano + Bruno Menegon*



## **Description**

Suspension lamp in hand-finished pleated and pleated ribbon fabric. Opal plex finishing underneath (Ø6"1/4 excluded).

Made in Italy.

## **Light source**

**A:** - 1 x E14 42 W HES

**B:** - 2 x E27 42 W HES

- 1 LED module 18,7 W - 3000 Lm - 2700 K

**C:** - 3 x E27 70 W HES

- 1 LED module 18,7 W - 3000 Lm - 2700 K

**D & E:** - 4 x E27 - 70W HES

- 1 LED module 23 W - 3628 Lm - 2700 K

**E:** - 1 led module 57 W - 8750 Lm - 2700 K

**F:** - 6 x E27 105 W HES

- 1 led module 88,2 W - 12380 Lm - 2700 K

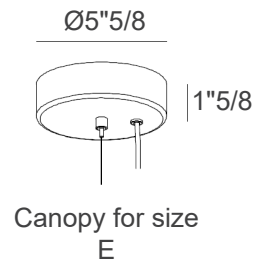
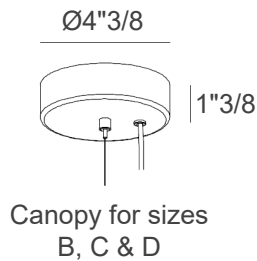
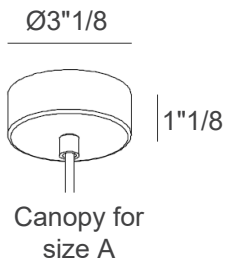
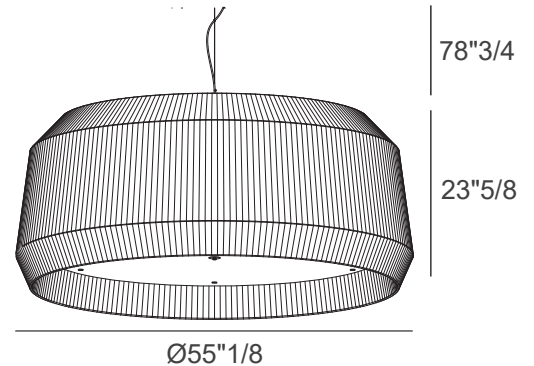
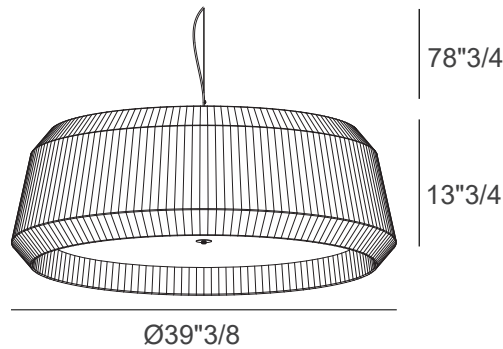
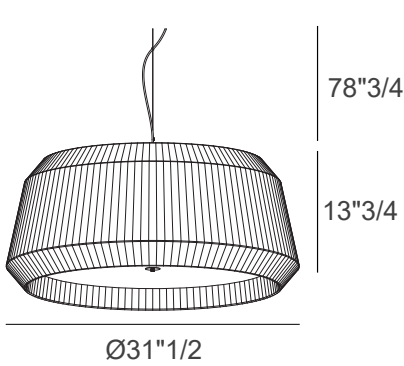
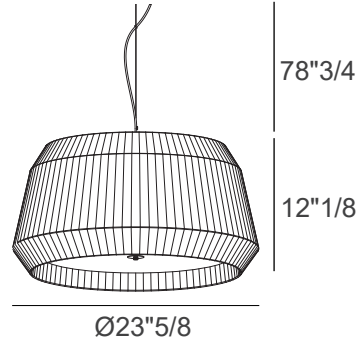
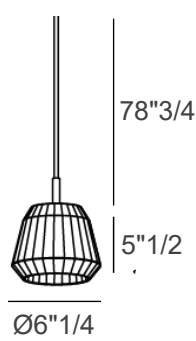
- LED modules are also available in 3000K and 4000K version, without surcharge.
- All sizes are available with our without dimmer.

## Loto

### Dimensions

- A)  $\text{Ø}6\frac{1}{4} \times 5\frac{1}{2}\text{H}$
- B)  $\text{Ø}23\frac{5}{8} \times 12\frac{1}{8}\text{H}$
- C)  $\text{Ø}31\frac{1}{2} \times 13\frac{3}{4}\text{H}$
- D)  $\text{Ø}39\frac{3}{8} \times 13\frac{3}{4}\text{H}$

Cable:  $78\frac{3}{4}$



Canopy for size A



Canopy for sizes B, C, D & E