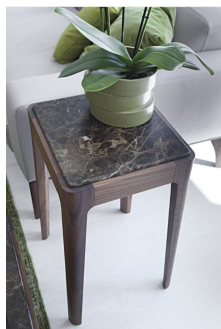


# Ziggy Side Tables

Design: C. Ballabio



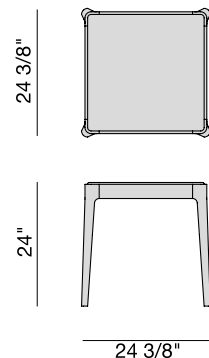
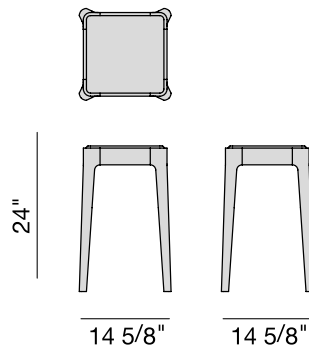
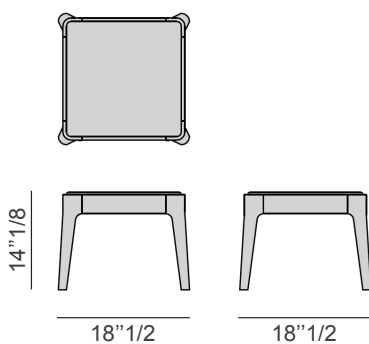
## Description

Side table in solid canaletta walnut or ash with top in wood, marble or glass. Luxury high-end Ziggy Side and Coffee Table Collection, italian designer furniture in the Transitional style.

18"1/2W x 18"1/2D x 14"1/8H

14"5/8W x 14"5/8D x 24"H

24"3/8W x 24"3/8D x 24"H



## Finishes and materials

**Wood:** Canaletta Walnut, Canaletta Walnut Moka Stained, Canaletta Walnut Wenge Stained, Matt Lacquered closed pore, Natural Ash, Ash Moka Stained, Ash Canaletta Walnut Stained, Ash Wengé Stained, Ash Canapa Stained, Ash Grey Stained, Matt Lacquered Open Pore.

**Marble:** Black Sahara Noir, White Calacatta Gold, Brown Emperador Dark, Grey Carnico

**Glass:** Frosted Back-coated black, Extra-light Frosted Back-coated White, Extra-light Frosted Back-coated Argilla, Extra-light Frosted Back-coated Iron

(For more specifications, please refer to "Finishes & Materials")