

## Ninix

*Design: Kris Van Puyvelde*



### *Description*

Lounge chair with stainless or coated steel frame and batyline seat.

Optional cushion and teak wood armrests.

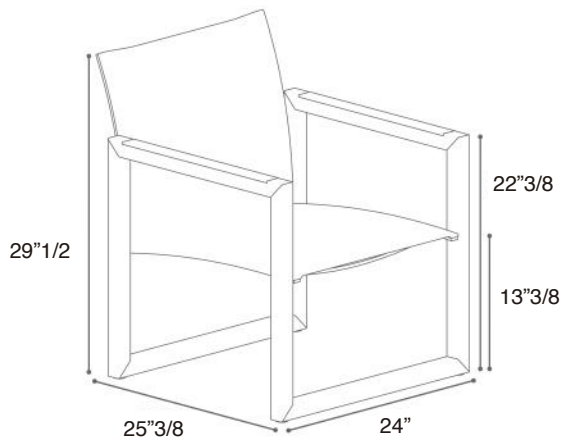
Optional Footrest.

### *Dimensions:*

24"W x 25"3/8D x 29"1/2H

**Seat Height:** 13"3/8

**Armrest Height:** 22"3/8



### *Optional Footrest:*

21"3/8W x 22"3/8D x 13"5/8H



### *Finishes and materials*

**Frame:** Brushed, electro polished or coated stainless steel.

**Seat:** Batyline.

**Optional cushion and teak wood armrests.**

*(For more specifications, please refer to "Finishes & Materials")*