

Ninix

Design: Kris Van Puyvelde



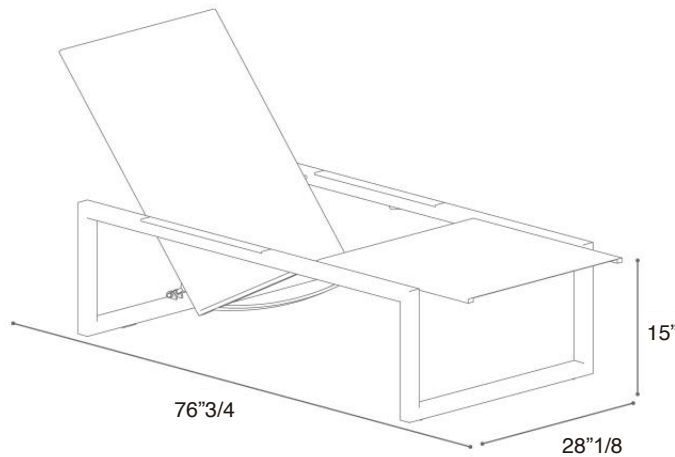
Description

Lounger with stainless or coated steel frame and batyline seat.

Optional cushions in fabric (Cat. A, Cat. B, Cat. C)
Optional teak wood armrests.

Dimensions:

28"1/8W x 76"3/4D x 15"H



Finishes and materials

Frame: Brushed, electro polished or coated stainless steel.

Seat: Batyline.

Optional cushions: Fabric (Cat. A, Cat. B, Cat. C)

Optional teak wood armrests.

(For more specifications, please refer to "Finishes & Materials")