

O-Zon

Design: Kris Van Puyvelde



Description

Chair with frame in brushed, electro polished or coated stainless steel.

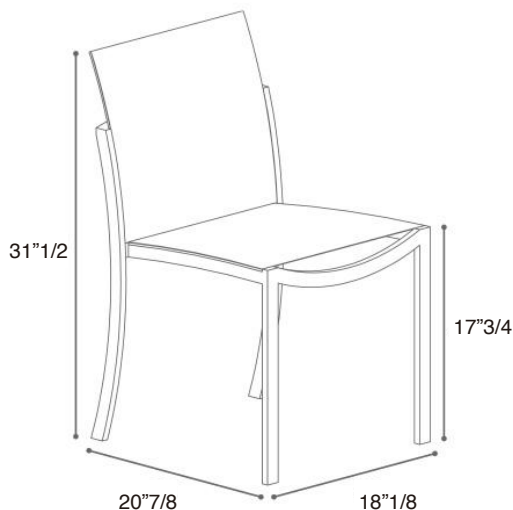
Seat in Batyline.

Optional cushions (Cat. A, Cat. B, Cat. C)

Dimensions:

18"1/8W x 20"7/8D x 31"1/2H

Seat Height: 17"3/4



Finishes and materials

Frame: Brushed, electro polished or coated stainless steel.

Seat: Batyline.

Optional cushions.

(For more specifications, please refer to "Finishes & Materials")

O-Zon

Design: Kris Van Puyvelde



21"5/8W x 21"1/4D x 31"1/2H

Seat Height: 17"3/4

Armrest Height: 25"5/8

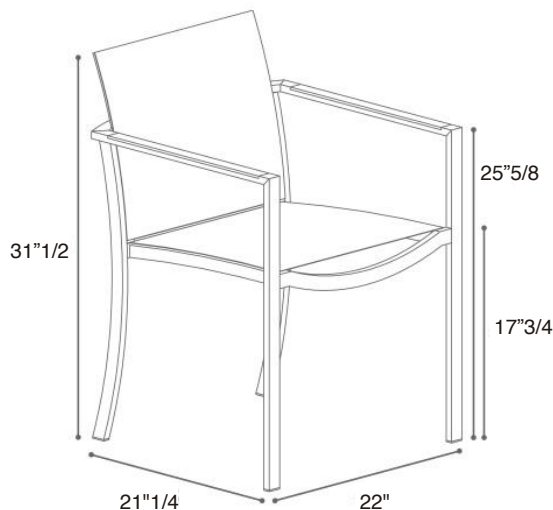
Description

Armchair with frame in brushed, electro polished or coated stainless steel.

Seat in Batyline

Optional cushions (Cat. A, Cat. B, Cat. C)

Optional teak armrests.



Finishes and materials

Frame: Brushed, electro polished or coated stainless steel.

Seat: Batyline.

Optional cushions.

Optional teak armrests.

(For more specifications, please refer to "Finishes & Materials")