

O-Zon

Design: Kris Van Puyvelde



Description

Bar stool with frame in brushed, electro polished or coated stainless steel.

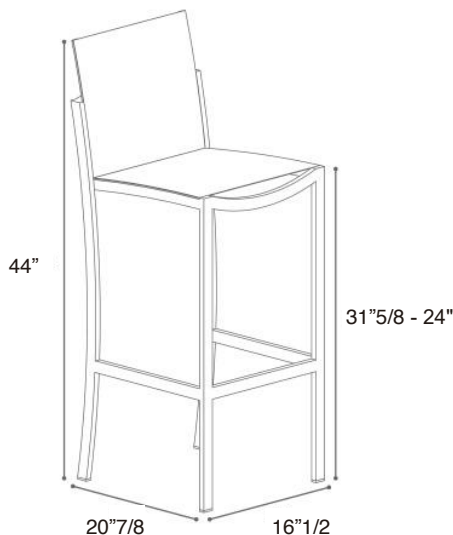
Seat in Batyline.

Optional cushions (Cat. A, Cat. B, Cat. C)

Dimensions:

16"1/2W x 20"7/8D x 44"H

Seat Height: 31"5/8 - 24"(Lowered frame)



Finishes and materials

Frame: Brushed, electro polished or coated stainless steel.

Seat: Batyline.

Optional cushions.

(For more specifications, please refer to "Finishes & Materials")