

Zenhit

Design: Kris Van Puyvelde



Description

Lounge chair with teak wood frame.

Cushion in fabric (Standard, Cat. A, Cat. B, Cat. C)

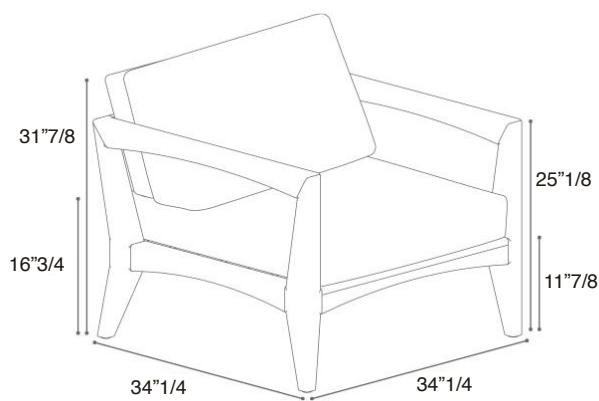
Optional Footrest.

Dimensions:

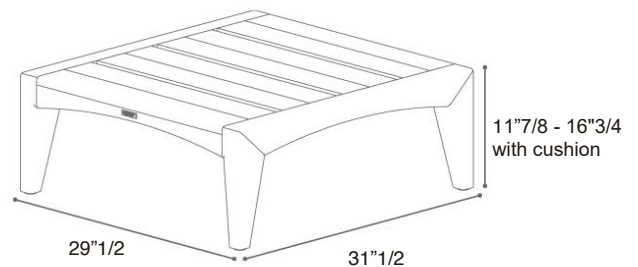
Zenhit Lounge Chair: 34"1/4W x 34"1/4D x 31"7/8H

Zenhit Footrest: 29"1/2W x 31"1/2D x 16"3/4H

Zenhit Lounge Chair



Zenhit Footrest



Finishes and materials

Frame: Teak wood.

Seat Cushion: Fabric (Standard, Cat. A, Cat. B, Cat. C).

(For more specifications, please refer to "Finishes & Materials")