

Gravity

Design: Technical Emotions



Description

Hanging Lounge Chair with structure in powder coated 304 stainless steel and nautical rope. Seat and backrest cushions in outdoor fabrics as per collection. Weight capacity: 662 pounds. Made in Italy.

Dimensions

Ø52"3/8 x 93"5/8H

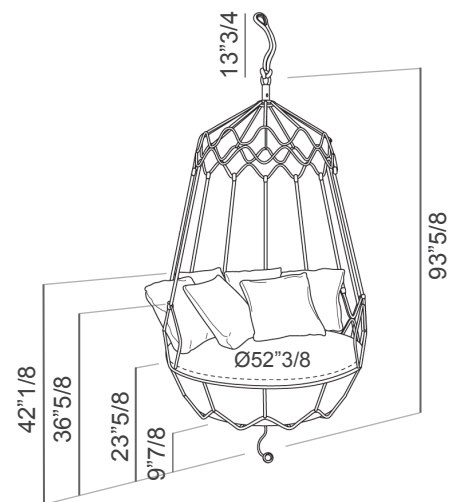
Seat Height: 23"5/8

Backrest Cushions (qty. 6): 21"5/8 x 21"5/8

Finishes and materials

Structure: Powder coated 304 steel and nautical rope.

Cushions Cover: Fabric, Cat. A1, Cat. A2 or Cat. B1



Loose nautical rope is available to complete the hanging/fastening of the lounge chair.