

Hampton Graphics

Design: GianVittorio Plazzogna, Roberto Papparotto

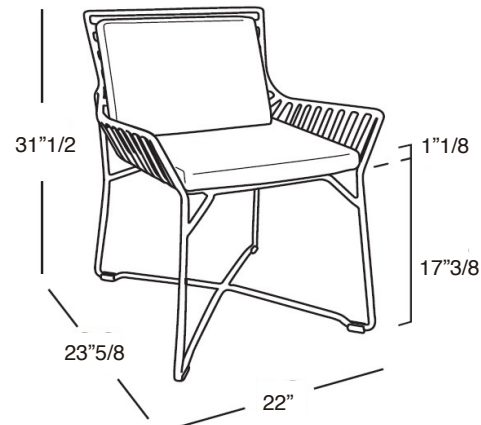
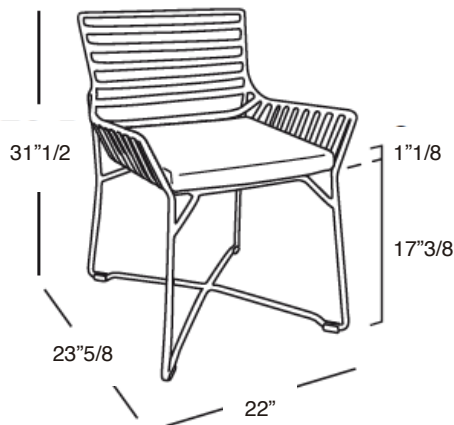


Description

Chair with white or coffee aluminium frame powder treated.

Dimensions:

22"W x 23"5/8D x 31"1/2H
Seat Height: 17"3/8



Finishes and materials

Frame: White or coffee aluminium.

Seat & Back cushions: Fabric Cat.A1, Cat. A2, Cat. B1, Cat. C1.