

Portofino

Design: Studio Balutto Associati - Santiago Sevillano



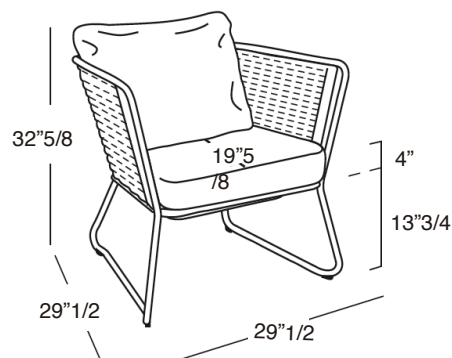
Description

Outdoor armchair, aluminum frame powder coated and woven with Nautic Rope. The balance between the base and the seat creates an enjoyable play of contrasts, the preciousness of woven and the finish of aluminum give a strong identity to this armchair. Perfect for furnishing terraces and patios, it's suitable also for indoor furnishing, both for residential and contract projects.

Dimensions:

29"1/2 W x 29"1/2D x 32"5/8H

Seat Height: 17"3/4



Finishes and materials

Frame: Aluminium woven with nautic rope.

Seat cushion: Outdoor fabrics.