

## Portofino

Design: Studio Balutto Associati - Santiago Sevillano

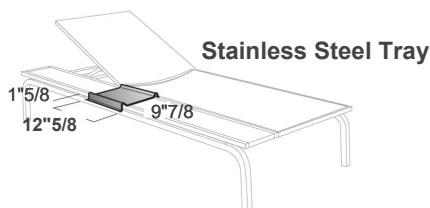
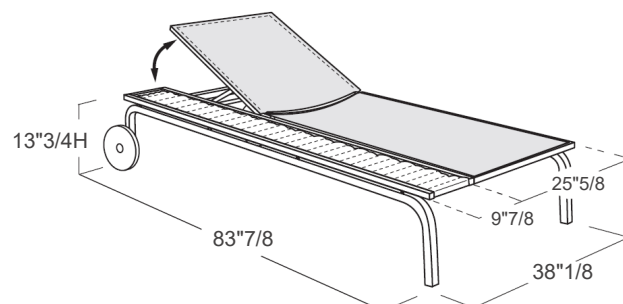
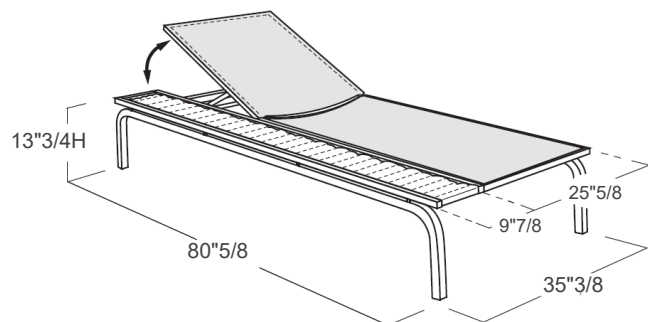


### Description

Lounger, frame in aluminum and Batyline, side panel woven with Nautic Rope.  
The precious woven adds value to the basic structure and make it fitting both for private and for contract use.  
Optional cushion in outdoor fabrics.  
Optional stainless steel tray for side panel.  
Available version with wheels, these allow to move it very easily.

### Dimensions

**Standard:** 35"3/8W x 80"5/8D x 13"3/4H  
**With wheels:** 38"1/8W x 83"7/8D x 13"3/4H  
**Seat Height:** 13"3/4  
**Optional Back & Seat Cushion:** 2"  
**Stainless Steel Tray:** 12"5/8W x 9"7/8D x 1"5/8H



### Materials

**Frame:** Aluminum woven with nautic rope.  
**Optional cushion:** Outdoor fabric.  
**Optional stainless steel tray.**