

# Mizu

*Design: Nicolas Terzani*



## *Description*

Suspension lamp with metal structure and crystal diffuser available in five different finishes. Canopy in brushed nickel or white, depending on the diffuser finish. Bulbs are not included. Made in Italy.

## **Light source**

### **3 pendants:**

- G4 LED dimmable or G4 Xenon-T3
- Max. power 3 x 2W or 3 x 10W
- Dimming: ELV

### **5 pendants:**

- G4 LED dimmable or G4 Xenon-T3
- Max. power 5 x 2W or 5 x 10W
- Dimming: ELV

### **7 pendants:**

- G4 LED dimmable or G4 Xenon-T3
- Max. power 7 x 2W or 7 x 10W
- Dimming: ELV

## Mizu

---



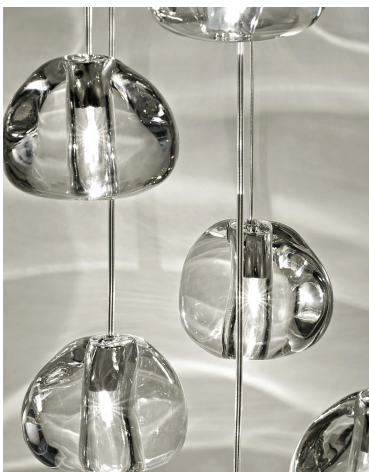
### Light source

#### 15 pendants:

- G4 LED dimmable or G4 Xenon-T3
- Max. power 15 x 2W or 15 x 10W
- Dimming: ELV

#### 26 pendants:

- G4 LED dimmable or G4 Xenon-T3
- Max. power 26 x 2W or 26 x 10W
- Dimming: ELV



### *Finishes and materials*

**Diffuser:** clear, champagne, cognac, silver dust or gold crystal.

## Mizu

### Dimensions

**With 3 pendants:**

Ø8"5/8 x 74"3/4H

**Canopy:** Ø8"1/4 x 1"5/8H

**With 5 pendants:**

Ø11" x 74"3/4H

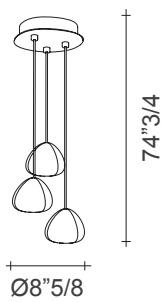
**Canopy:** Ø9"7/8 x 1"5/8H

**With 7 pendants:**

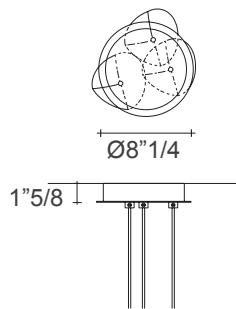
Ø12"1/8 x 74"3/4H

**Canopy:** Ø11"7/8 x 1"5/8H

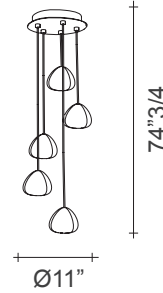
With 3 pendants



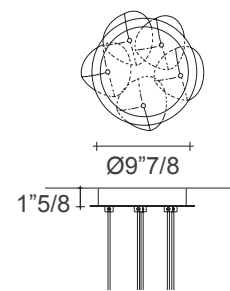
Canopy



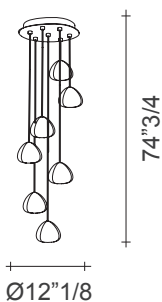
With 5 pendants



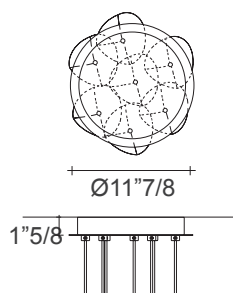
Canopy



With 7 pendants



Canopy



(For more specifications, please refer to "Finishes & Materials")

## Mizu

### Dimensions

**With 15 pendants (rectangular cpy):**

26<sup>3</sup>/<sub>4</sub>W x 15<sup>3</sup>/<sub>4</sub>D x 98<sup>3</sup>/<sub>8</sub>H

**Canopy:** 26<sup>3</sup>/<sub>4</sub>W x 15<sup>3</sup>/<sub>4</sub>D x 1<sup>5</sup>/<sub>8</sub>H

**With 26 pendants (rectangular cpy):**

30"W x 30"D x 98<sup>3</sup>/<sub>8</sub>H

**Canopy:** 30"W x 30"D x 2"H

**With 15 pendants (round cpy):**

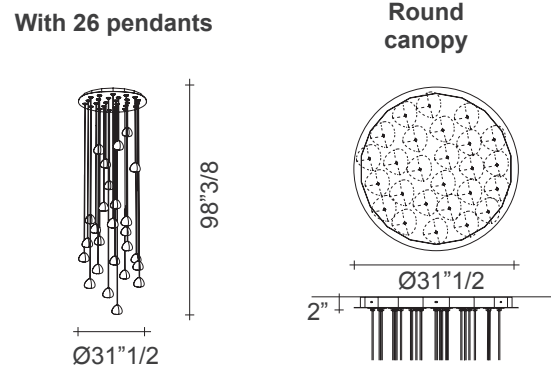
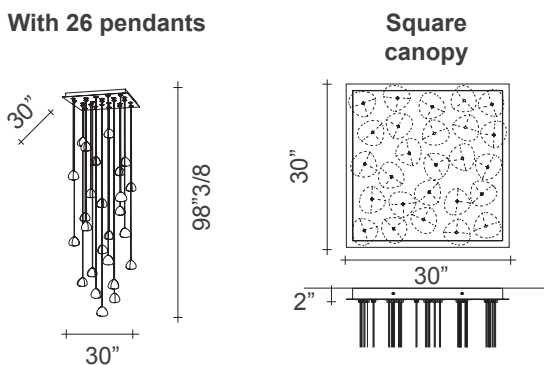
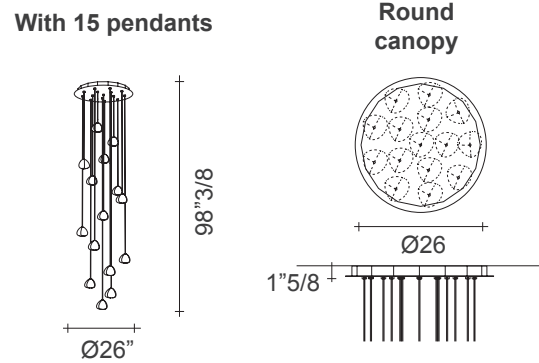
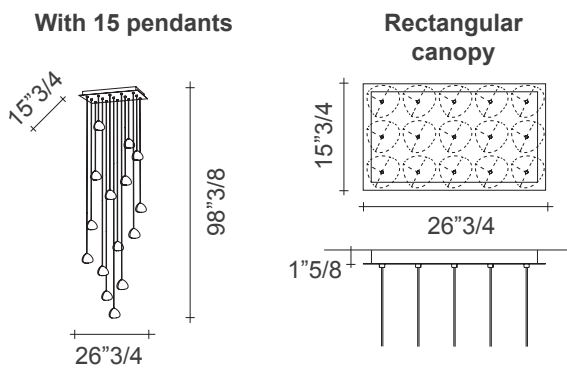
Ø26" x 98<sup>3</sup>/<sub>8</sub>H

**Canopy:** Ø26" x 1<sup>5</sup>/<sub>8</sub>H

**With 26 pendants (square cpy):**

Ø31<sup>1</sup>/<sub>2</sub> x 98<sup>3</sup>/<sub>8</sub>H

**Canopy:** Ø31<sup>1</sup>/<sub>2</sub> x 2"H



(For more specifications, please refer to "Finishes & Materials")