

Atlas

Design: Mauro Lipparini



Description

Stylistic and aesthetic inspirations are at the heart of the Atlas sectional. A design with interplanetary force in which diversity becomes an added value. Shapes and forms meet each other and are combined in an imaginary space, creating a setting in which thin and thick arms, high and low backs, corner units, chaise-longues and accessories blend together. The result is a multiple architectonic image with a cosmopolitan style that responds to the most complex requirements. Atlas expresses freedom without compromise. The back support is optional and can only be used with the Atlas back cushion.

Finishes and materials

Structure: Wood.

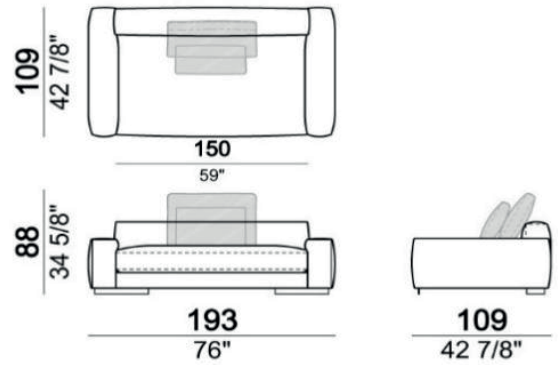
Feet: Metal; micaceous brown or black nickel, 2" tall.

Covers: Fabric; C.O.M. and categories A, B/C, D, E, Extra or Top/Alcantara. Leathers; C.O.L. and categories First, Plus, A or B.

(For more specifications, please refer to "Finishes & Materials")

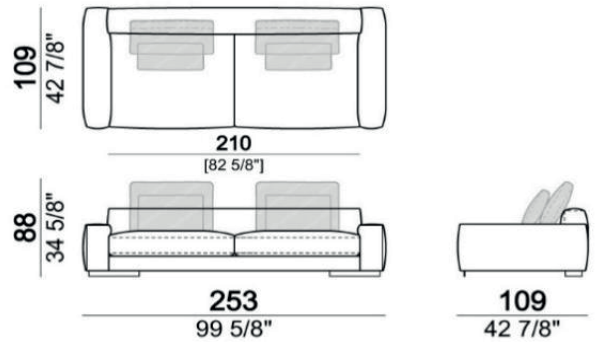
Slim Size A - 6109602

Slim Size A: 76"W x 43"D x 34"5/8H



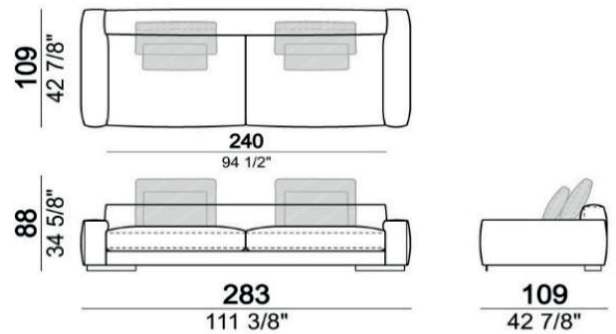
Slim Size B - 6109603

SLIM Size B: 99"5/8W x 43"D x 34"5/8H



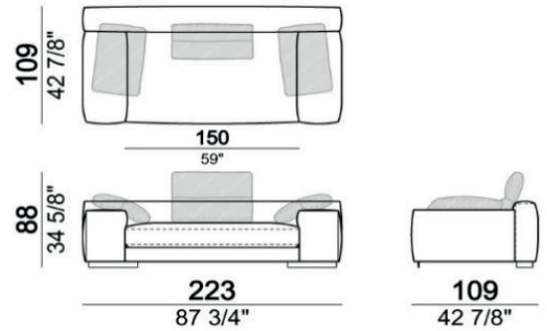
Slim Size C - 6109604

SLIM Size C: 111"3/8W x 43"D x 34"5/8H



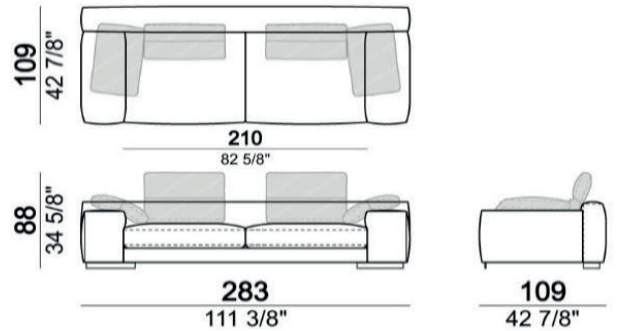
Large Size A - 6109605

Large Size A: 87"3/4W x 43"D x 34"5/8H



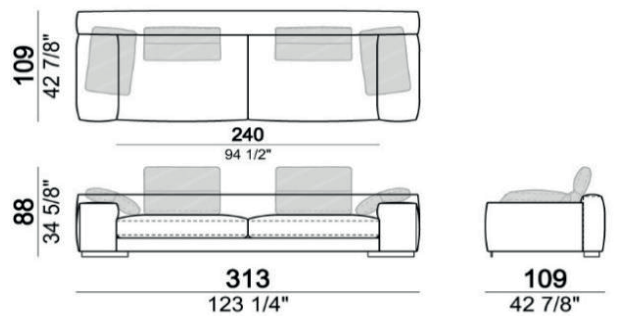
Large Size B - 6109606

Large Size B: 111"3/8W x 43"D x 34"5/8H



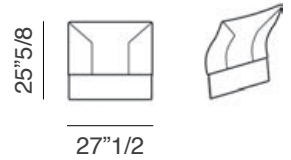
Large Size C - 6109607

Large Size C: 123"1/4W x 43"D x 34"5/8H



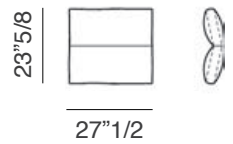
61096118

Back Support For Back Cushion: 27"1/2W x 25"5/8H
(code 61096119)



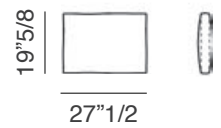
61096119

Back Cushion Atlas: 27"1/2W x 23"5/8H



61096120

Back Cushion 1: 27"1/2W x 19"5/8H



61096121

Back Cushion 2: 33"1/2W x 19"5/8H

