

## Aria

Design: Zaha Hadid



### Description

Suspension lamp designed by Zaha Hadid which combines dramatic architectural features with the intrinsic weightlessness of the materials, creating a sculpture of light and technology that fascinates and enchants observers. The 50 individual layers of Cristalflex® and Lentiflex® with gold finish, work together to make Aria seem as if is about to take flight, characterized by complex yet harmonic forms that embrace the light source in a veiled breath. Made in Italy.

### Finishes and materials

**Diffuser:** Cristalflex® / Lentiflex®

■ GOLD ■ TRANSP ■ BLACK FADE

(For more specifications, please refer to “Finishes & Materials”)

## Aria

### Dimensions

**A:** Ø19"5/8 x 29"1/2H

**B:** Ø23"5/8 x 35"3/8H

**C:** Ø27"1/2 x 45"1/4H

Cables and canopy height: 55"1/8

#### Light source A,B:

LED: 35W - 220V - 3.500 Lumen

2700 Kelvin (warm white) - CRI 90

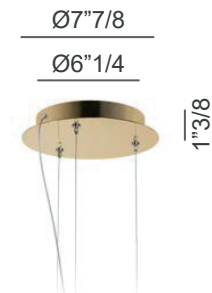
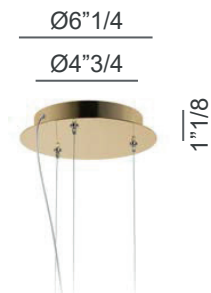
Triac Dimmable (Trailing Edge min. 20W)

#### Light source C:

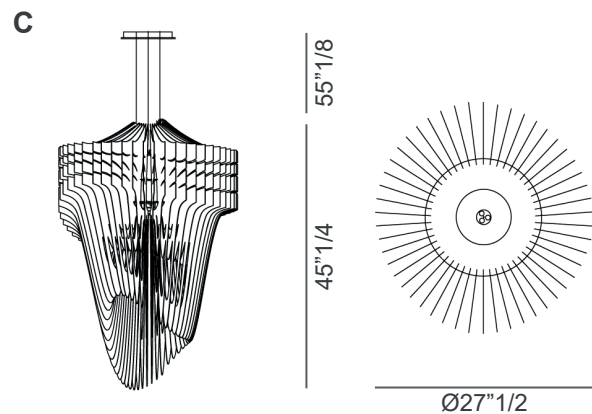
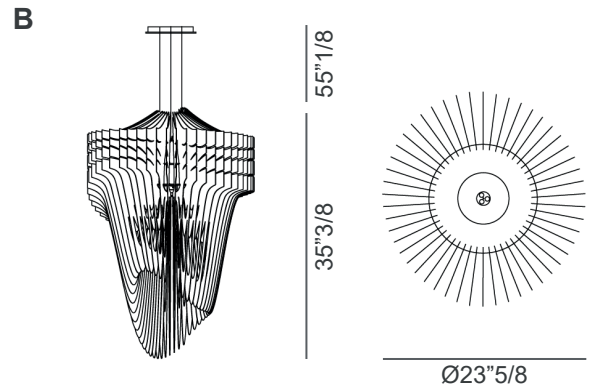
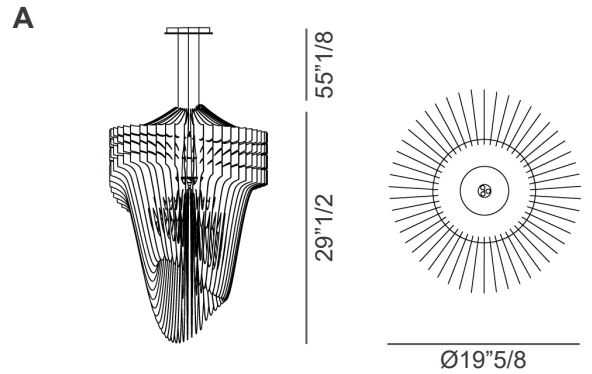
LED: 70W - 220V - 7.000 Lumen

2700 Kelvin (warm white) - CRI 90

Triac Dimmable (Trailing Edge min. 20W)



**NOTE:** Canopy can be Gold or White.



**NOTE:** 19ft (aprox.) cable kit must be ordered with lamp purchase. Multiple installation kit on request.

(For more specifications, please refer to "Finishes & Materials")

Aria

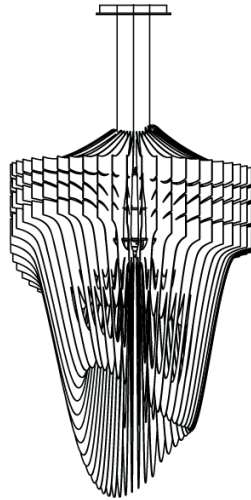
## Dimensions

Ø35"3/8 x 51"1/8H

Cables and canopy height: 55"1/8

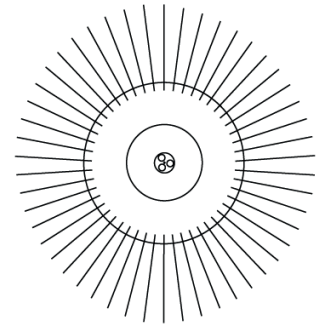


Canopy detail



55"1/8

51"1/8



Ø35"3/8

## Light source:

6 X E26 - 12W LED Filament - Dimmable 

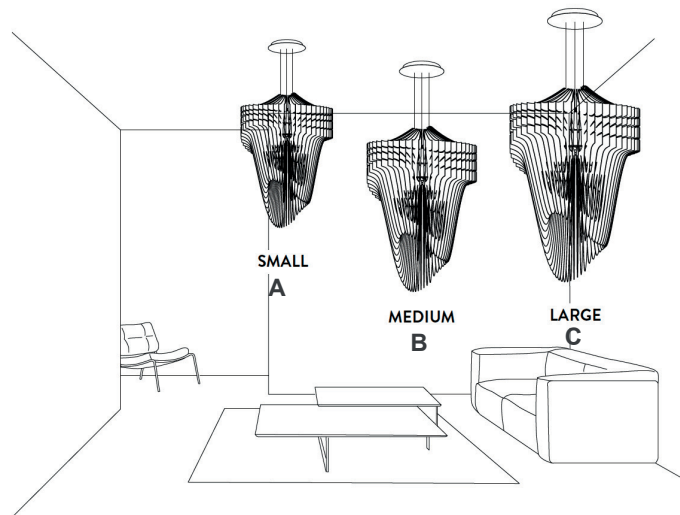
1 X E26 - 16W Spot LED - Dimmable 

**NOTE:** 19ft (aprox.) cable kit must be ordered with lamp purchase.  
Multiple installation kit on request.

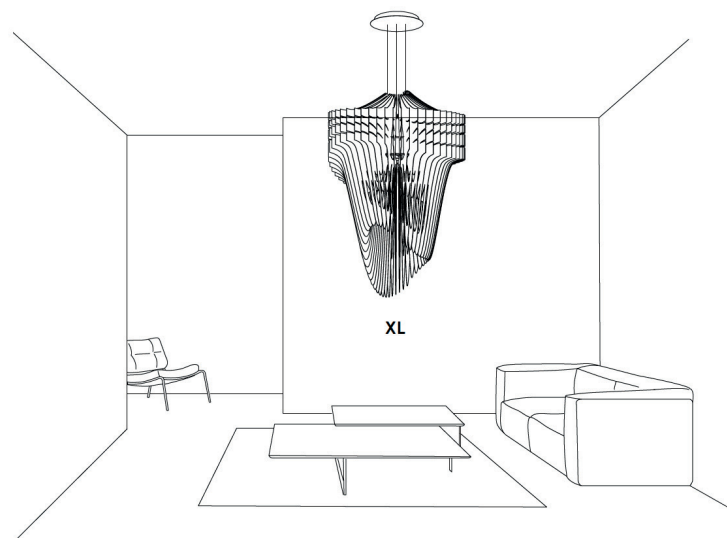
(For more specifications, please refer to "Finishes & Materials")

Aria

## ARIA COLLECTION



## ARIA XL COLLECTION



**NOTE:** 19ft (aprox.) cable kit must be ordered with lamp purchase.  
Multiple installation kit on request.

(For more specifications, please refer to "Finishes & Materials")