

Flora

Design: Zanini De Zanine



Description

Floor lamp composed of sixty technopolymer metallic petals surrounding a hand-finished satin sphere illuminated from its core, resting on three legs resembling stems. The petals' shiny finish is achieved through an innovative aluminum vaporization system. With Magnetic System® for easy installation and care. Dimmer included. Also available in suspension version. Made in Italy.

Finishes and materials

Diffuser: Goldflex® / Steelflex® / Copperflex® / Pewterflex® / Lentiflex® / Methacrylate

GOLD SILVER COPPER PEWTER

WHITE

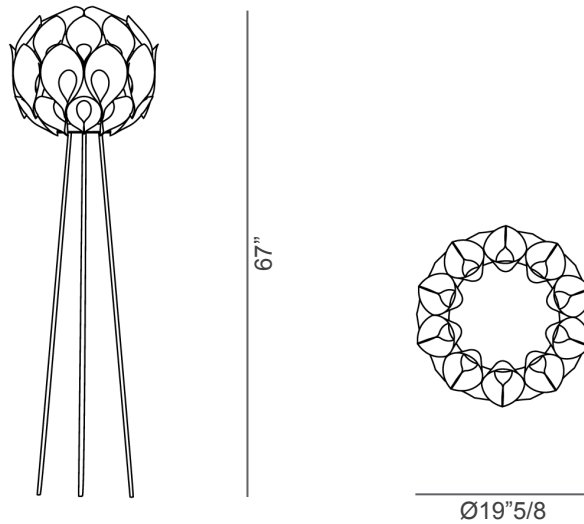


(For more specifications, please refer to "Finishes & Materials")

Flora

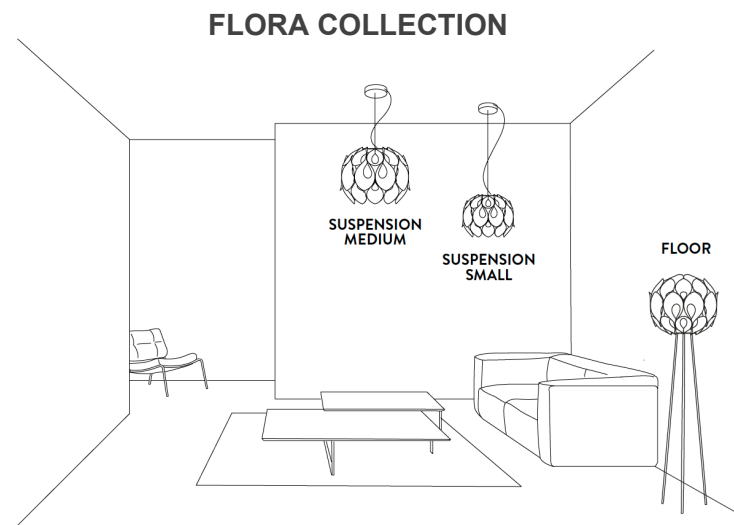
Dimensions

Ø19"5/8 x 67"H



Light source:

 3 X E26 - 12W LED Filament - Dimmable



(For more specifications, please refer to "Finishes & Materials")