

# Liza

*Design: Elisa Giovannoni*



## *Description*

Baroque-inspired table lamp with double illumination system, with a courtesy LED in the base and a bulb in the principle pleated shade, creating contrasts of light and shadows that give depth and warmth to any space. Available in two finishes: Prisma and Pewter. The collection also includes a floor version with an adjustable arm and a suspension version with subtle, vertical incisions. Made in Italy.

## *Finishes and materials*

Lentiflex® / Pewterflex®

Polycarbonate / Cristalflex®

PRISMA    PEWTER



(For more specifications, please refer to “Finishes & Materials”)

## Liza

---

### *Dimensions*

Ø13"3/4 x 27"1/2H

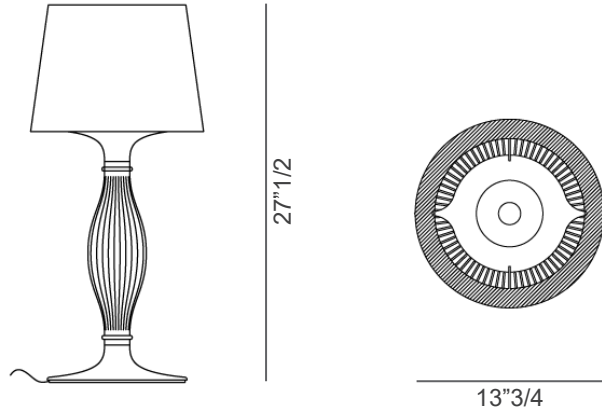
#### **Light source:**

Hat:

 1 X E26 - 12W LED Filament

Base Courtesy LED:

1,5W - 220V -100 Lumen  
2700 Kelvin (warm white)



(For more specifications, please refer to "Finishes & Materials")