

Auto-Reverse

Design: Giuseppe Viganó



Description

The Auto-reverse sectional, versatile with a strong personality, derives from the idea of expressing a double soul in the living area. Its apparent casual and untidy look is in contrast with the order and extreme care for the details that obtain an object with a sharp style and of high quality. The thin structure, elegant and discreet, enwraps and contains the seat cushions, the back and the arms, emphasized by flounces all around the perimeter which grant a definite movement to the line and add a tactile and visual softness to the sectional. The important zip, applied to the four sides of the cushions, fastens the two-sided cover, one in leather and one in fabric, giving rigour to the sectional and underlining its peculiar design. The result is a sectional in which the softness and warmth of the fabric coexists with the elegance of leather. A peculiar mix of materials to create different chromatic combinations and sophisticated matches. The structure seems to float above the ground thanks to the thin, minimal feet made of square section metal.

* For more specifications, please refer to the "Finishes & Materials" PDF

Finishes & materials

Structure: Metal.

Seat Height: 17".

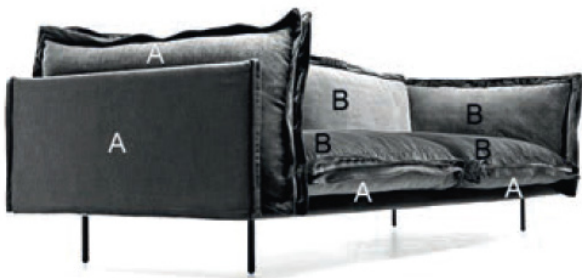
Armrest Height: 29"1/8.

Covers: Seat and back cushions are reversible and they can be covered with different fabrics and/or leathers. The cover of the structure is always in the same fabric or leather of one side of the cushions.

Feet: Metal, micaceous brown, titanium or brass finish, 6"5/8H or 8"5/8H.

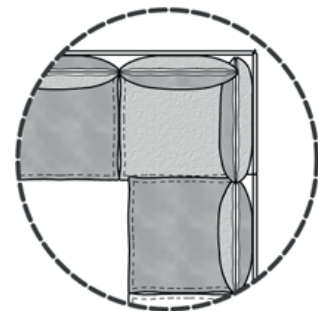
Springing: Elastic belts.

Zippers: Available in the following colours: Beige (103), Sand Beige (111), Olive Grey (112), Platinum (116), Taupe (117), Dark Grey (110), Slate Grey (113), Light Grey (109), Aviation Blue (118), Ocean Blue (119), Aquamarine Blue (115), Light Blue Grey (114), Mustard (102), Dark Brown (106) and Burgundy (107).

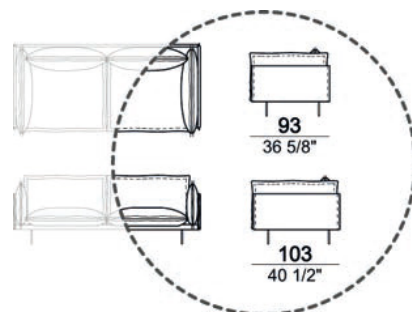


Side A: structure + one side of cushions.
Side B: other side of cushions.

The use as corner unit of the 87"W and 124"3/8W sofas and of the 81" lateral unit is not recommended because the cut of the seat does not coincide with the corner by about 2"3/4.



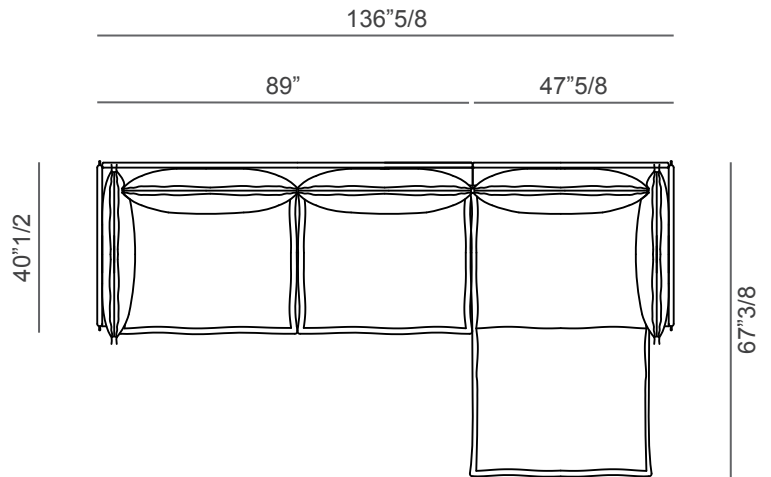
ATTENTION: some units are available in two depths: 36"5/8 and 40"1/2. In these units the two depths are indicated in the technical drawing.



Dimensions

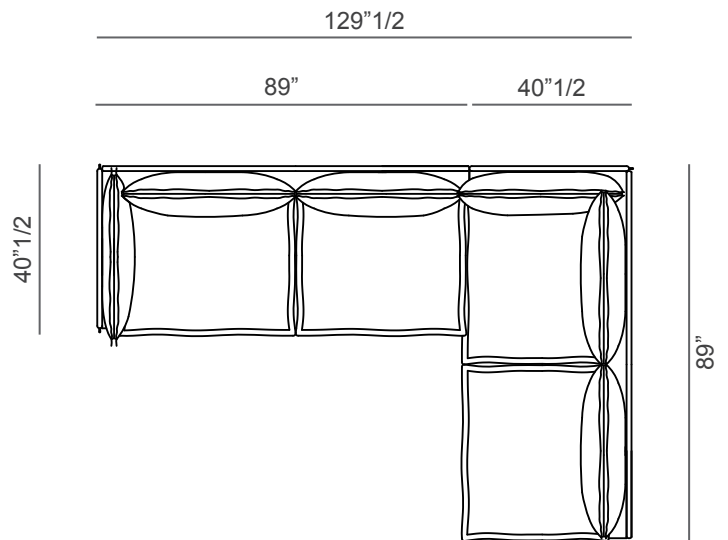
Composition A:

Left unit + Chaise Lounge with right short arm
136"5/8W x 67"3/8D x 31"7/8H



Composition B:

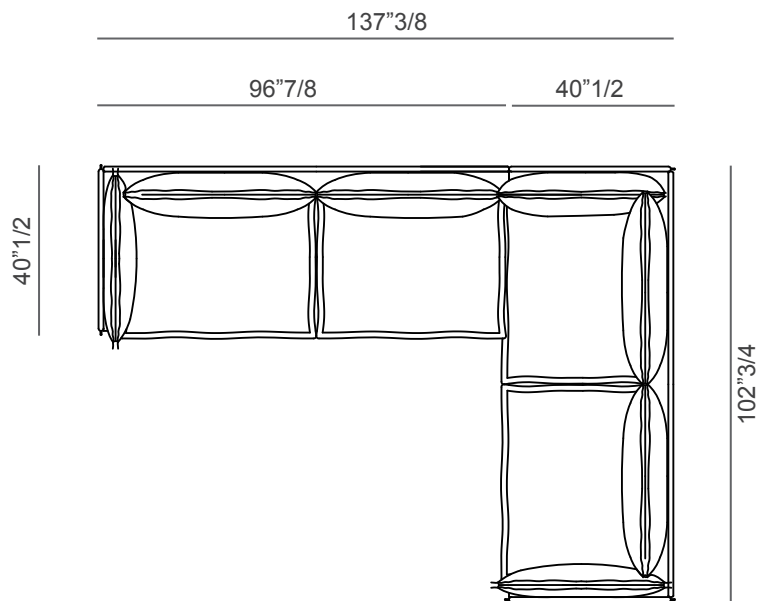
Left unit + Left Corner Unit
129"1/2W x 89"D x 31"7/8H



Composition C:

Left unit + Chaise Lounge
with right short arm

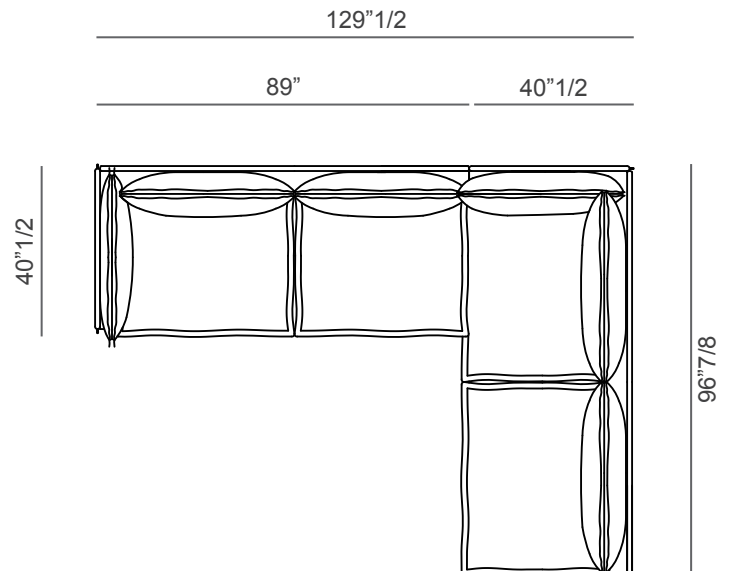
136"5/8W x 67"3/8D x 31"7/8H



Composition D:

Left unit + Left Corner Unit

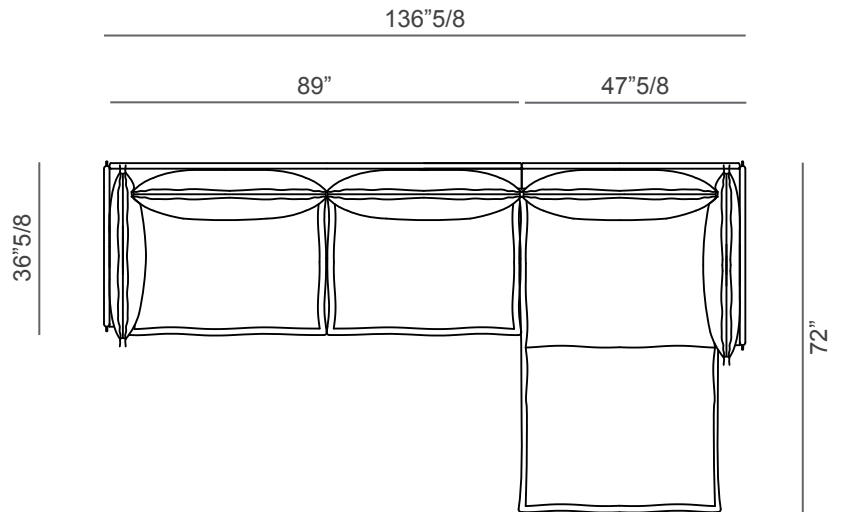
129"1/2W x 96"7/8D x 31"7/8H



Composition E:

Left unit + Chaise Lounge
with right short arm

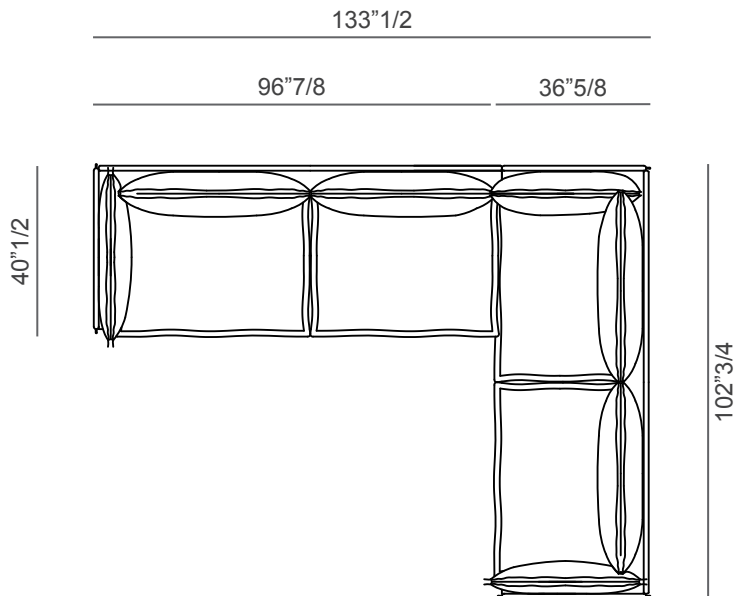
136"5/8W x 67"3/8D x 31"7/8H



Composition F:

Left unit + Left Corner Unit

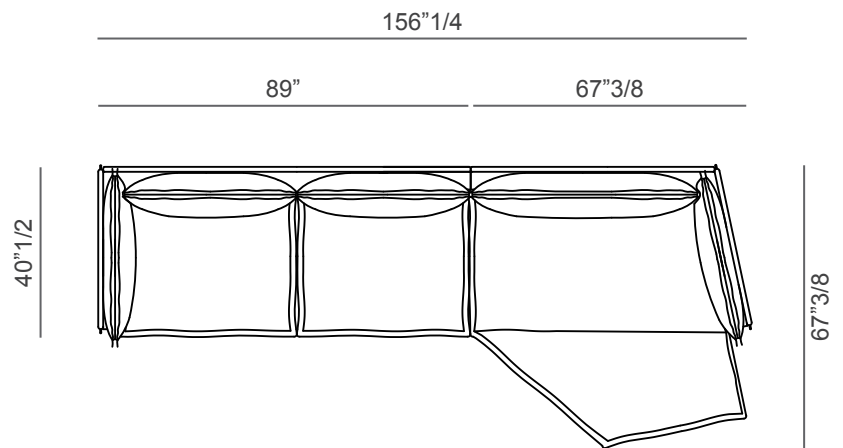
133"1/2W x 102"3/4D x 31"7/8H



Composition H:

Left unit + Right Unit

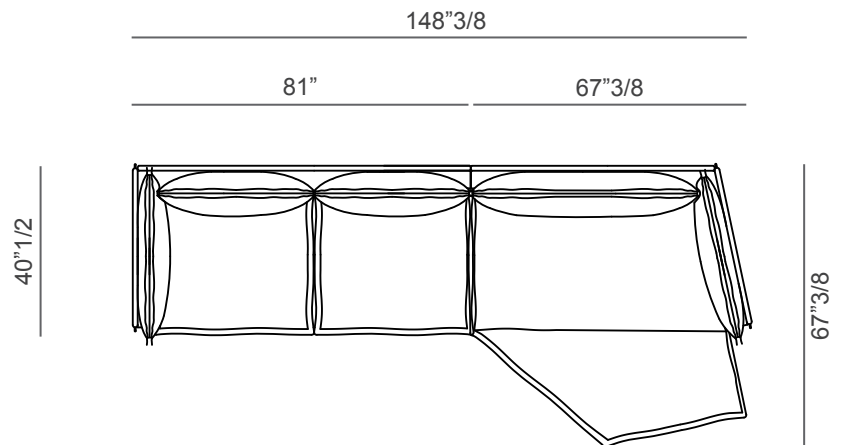
156"1/4W x 67"3/8D x 31"7/8H



Composition I:

Left unit + Right Unit

148"3/8W x 67"3/8D x 31"7/8H



6109051

Auto-Reverse Armcushion:
17"3/8W x 17"3/8H

