

Auto-Reverse

Design: Giuseppe Viganò



Description

The Auto-reverse lounge chair, versatile with a strong personality, derives from the idea of expressing a double soul in the living area. Its apparent casual and untidy look is in contrast with the order and extreme care for the details that obtain an object with a sharp style and of high quality. The thin structure, elegant and discreet, enwraps and contains the seat cushions, the back and the arms, emphasized by flounces all around the perimeter which grant a definite movement to the line and add a tactile and visual softness to the lounge chair. The important zip, applied to the four sides of the cushions, fastens the two-sided cover, one in leather and one in fabric, giving rigor to the lounge chair and underlining its peculiar design. The result is a lounge chair in which the softness and warmth of the fabric coexists with the elegance of leather. A peculiar mix of materials to create different chromatic combinations and sophisticated matches. The structure seems to float above the ground thanks to the thin, minimal feet made of square section metal.

Finishes and materials

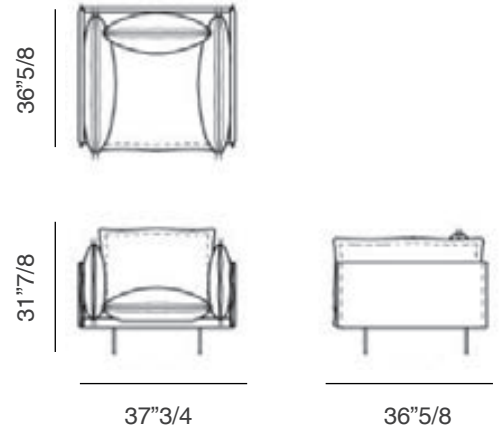
Structure: Metal.

Seat Height: 17". **Armrest Height:** 29" 1/8.

Covers: seat and back cushions are reversible and they can be covered with different fabrics and/or leathers. The cover of the structure is always in the same fabric or leather of one side of the cushions.

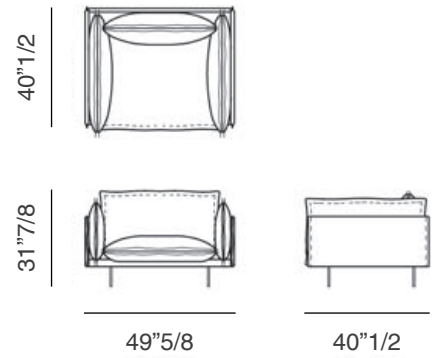
Size A

Auto-Reverse Lounge Chair A: 37"3/4W x 36"5/8D x 31"7/8H



Size B

Auto-Reverse Lounge Chair B: 49"5/8W x 40"1/2D x 31"7/8H



Size C

Auto-Reverse Lounge Chair C: 53"1/2W x 40"1/2D x 31"7/8H

