

## Ego

*Design: Manzoni E Tapinassi*



### *Description*

Carved, geometric lines give the Ego sectional great personality and a unique style combined with maximum comfort. Oversized seats, back and armrests are extremely soft for all-around cosiness. Ego is the latest elaboration of the 1980's concept of the sofa. The feet, available in chromed or micaceous brown stained metal, support the wide armrests.

### *Finishes and materials*

**Structure:** Metal and multilayered wood.

**Seat Height:** 15"3/4. **Armrest Height:** 21"5/8.

**Feet:** Chromed metal or micaceous brown stained metal, 6"H.

**Covers:** Fabrics or leathers from the collection.

*(For more specifications, please refer to "Finishes & Materials")*

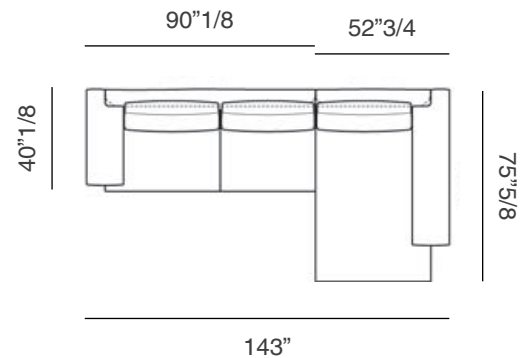
## Size A

Ego Sectional Composition "A": 143"W x 75"5/8D x 31"7/8H

+ L Unit 3

+ Chaise Lounge with R Short Arm

Fabric requirement m. 21,2



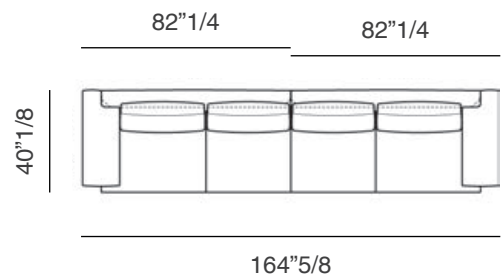
## Size B

Ego Sectional Composition "B": 164"5/8W x 40"1/8D x 31"7/8H

+ L Unit 2

+ R Unit 2

Fabric requirement m. 21



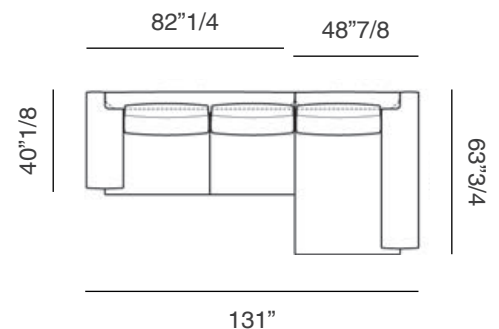
## Size C

Ego Sectional Composition "C": 131"W x 63"3/4D x 31"7/8H

+ L Unit 2

+ Chaise Lounge with R Right Arm

Fabric requirement m. 19



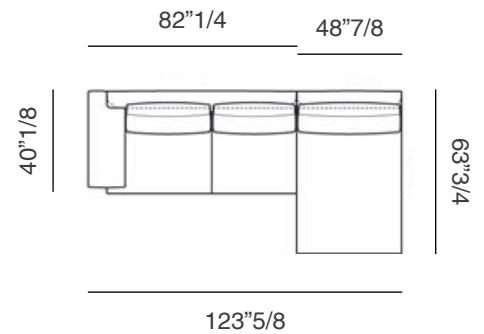
## Size D

Ego Sectional Composition "D": 123"5/8W x 63"3/4D x 31"7/8H

+ L Unit 2

+ Dormeuse 1

Fabric requirement m. 18



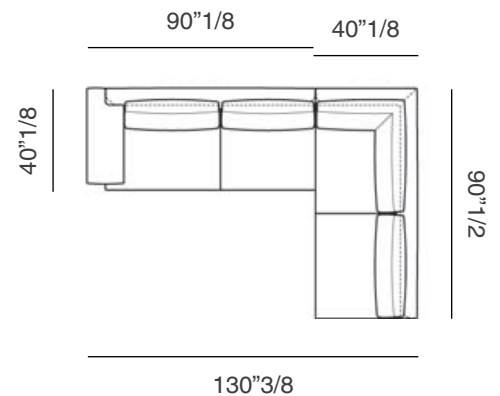
## Size E

Ego Sectional Composition "E": 130"3/8W x 90"1/2D x 31"7/8H

+ L Unit 2

+ Left Corner Unit

Fabric requirement m. 23,7



## Size F

Ego Sectional Composition "F": 156"1/4W x 98"D x 31"7/8H

+ Dormeuse 1

+ Central Unit 2

+ Left Corner Sofa

Fabric requirement m. 31

