

Windsor

Design: Manzoni e Tapinassi



Description

The Windsor sofa fits in with all kinds of furnishings: perfect in a traditional setting, in a modern setting it stands out like a valuable work of art. Made exclusively by hand with tufted upholstery, the sofa has a decidedly distinctive feel. It is refined and sophisticated, yet also soft and welcoming, due to the characteristic button buried in the diamond quilting of the padding. Windsor has extended its range with an additional, extra-large sofa of 314 cm. Besides, there is a new version in velvet which gives the sofa a silky and sumptuous look.

Finishes and materials

Structure: Wood.

Seat Height: 15"3/4.

Armrest/backrest Height: 25"5/8.

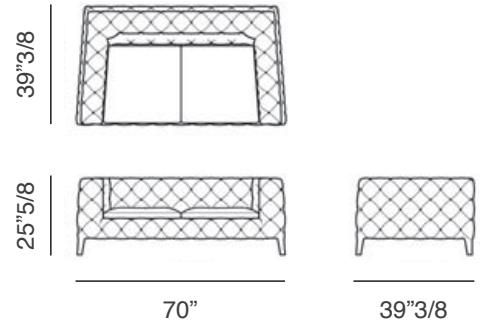
Feet: Beech wood covered with leather or velvet; underfoot in aluminum; 5"1/2 H.

Cover: Not removable. In velvet (vellù) or fabrics from the collection.

(For more specifications, please refer to "Finishes & Materials")

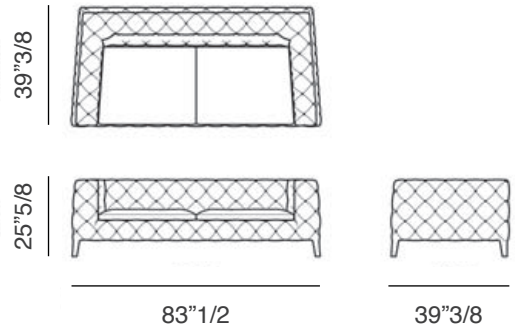
018502

Windsor Sofa 1: 70"W x 39"3/8D x 25"5/8H



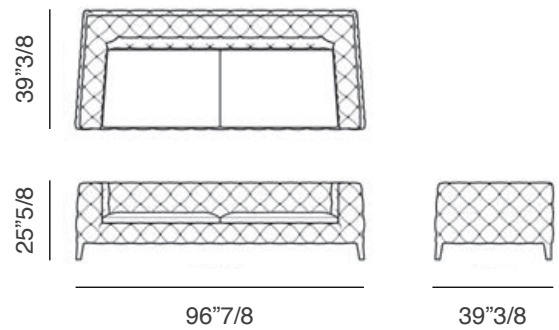
018503

Windsor Sofa 2: 83"1/2W x 39"3/8D x 25"5/8H



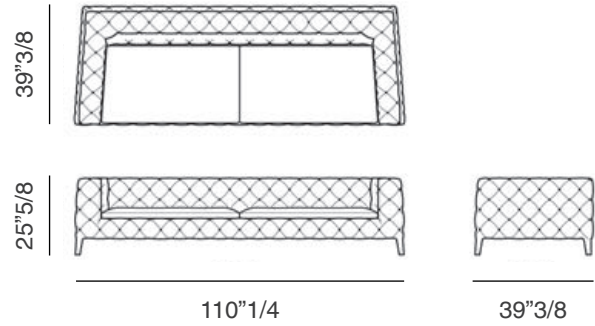
018504

Windsor Sofa 3: 96"7/8W x 39"3/8D x 25"5/8H



018506

Windsor Sofa 4: 110"1/4W x 39"3/8D x 25"5/8H



018507

Windsor Sofa 5: 123"5/8W x 39"3/8D x 25"5/8H

