

14



Description

Suspension lamp with a coaxial cable suspension system in a random configuration.

14 is an articulated, cast glass sphere with a frosted cylindrical void that houses a LED lamp. Individual pendants are visually subtle, but gain an atmospheric quality when multiplied and clustered in groups.

This refined lamp is composed of cast-glass pendants that attach to either a rectangular, round or square white-powder coated canopy using a fixed length connector.

Different configurations are available, with 11, 14, 16, 20 or 26 pendants.

Lamps and power supplies are included.

Each pendant comes standard with a coaxial cable, adjustable up to 472"3/8.

Longest and shortest lengths are determined by client, Bocci fabricates all lengths between these measurements. Specified shortest and longest lengths are from the underside of the canopy to the underside of the pendant. There may be variance of $\pm 1/8$ " on specified shortest and longest lengths.

14

Dimensions

14.11)

Rectangular: 33"1/2W x 11"1/8D
 Round: Ø23"5/8
 Square: 20"W x 20"D

14.14)

rectangular: 33"1/2W x 11"1/8D
 round: Ø20"

14.16)

rectangular: 43"1/4W x 14"5/8D
 square: 23"5/8W x 23"5/8D

14.20)

Rectangular: 52"W x 11"7/8D
 round: Ø29"3/4

14.26)

Rectangular: 39"3/8W x 13"1/8D
 Round: Ø23"5/8
 Square: 23"5/8W x 23"5/8D

Canopies:

Rectangular

- 14.11) 33"1/2W x 11"1/8D
- 14.14) 33"1/2W x 11"1/8D
- 14.16) 43"1/4W x 14"5/8D
- 14.20) 52"W x 11"7/8D
- 14.26) 39"3/8W x 13"1/8D

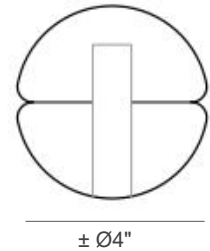
Round

- 14.11) Ø23"5/8
- 14.14) Ø20"
- 14.20) Ø29"3/4
- 14.26) Ø23"5/8

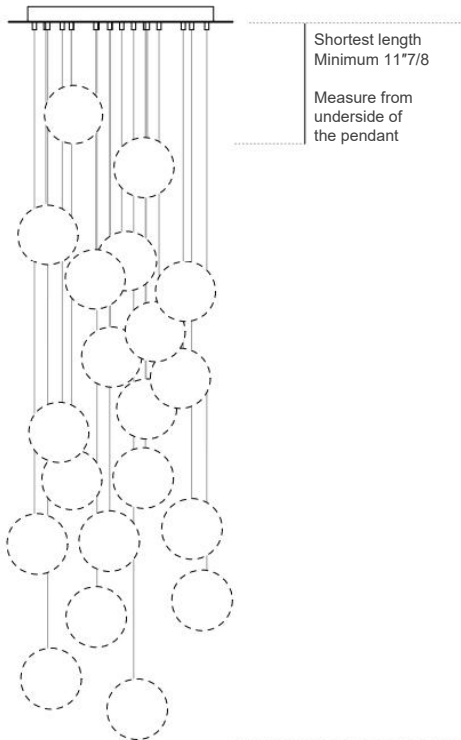
Square

- 14.11) 20"W x 20"D
- 14.16) 23"5/8W x 23"5/8D
- 14.26) 23"5/8W x 23"5/8D

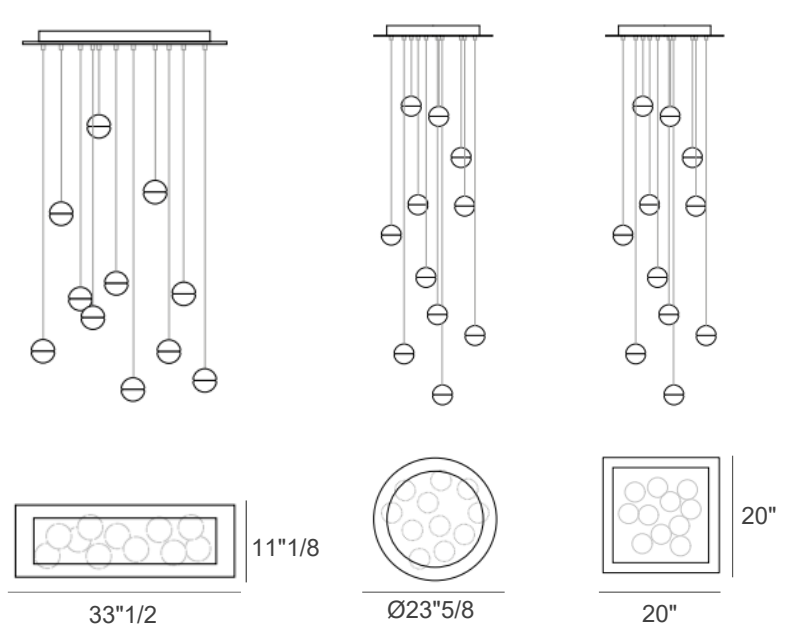
Pendant: ± Ø4"



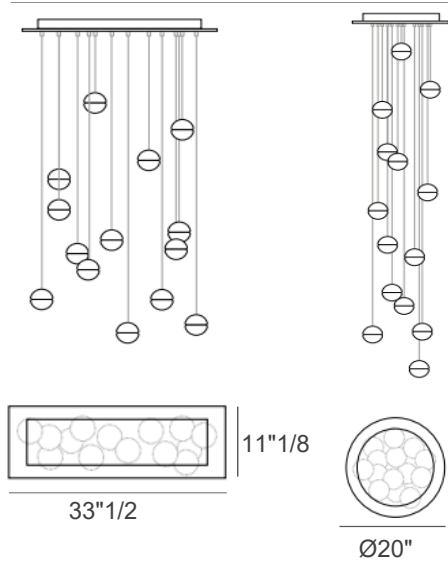
Length Measuring Guide



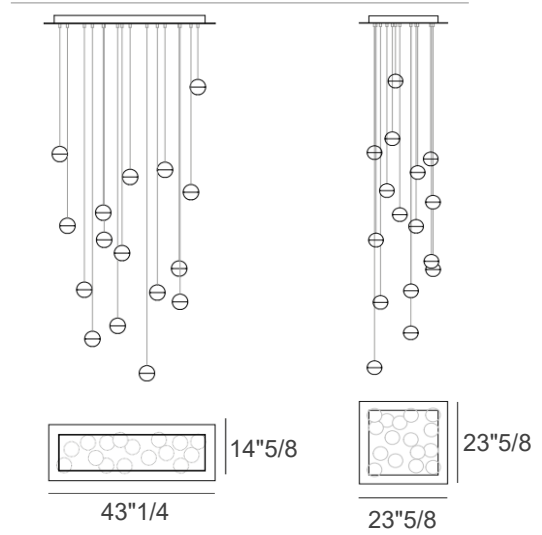
14.11) Eleven pendants



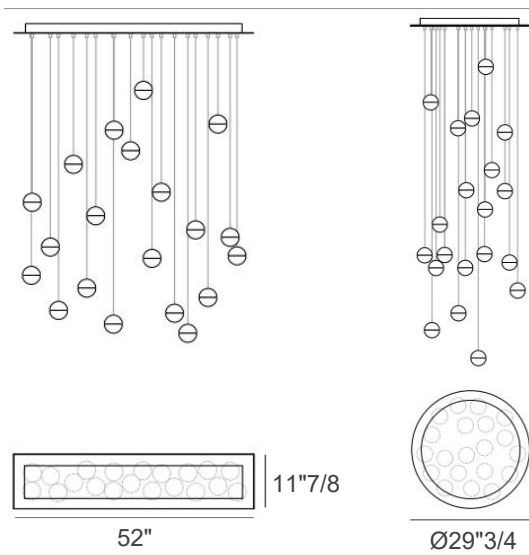
14.14) Fourteen pendants



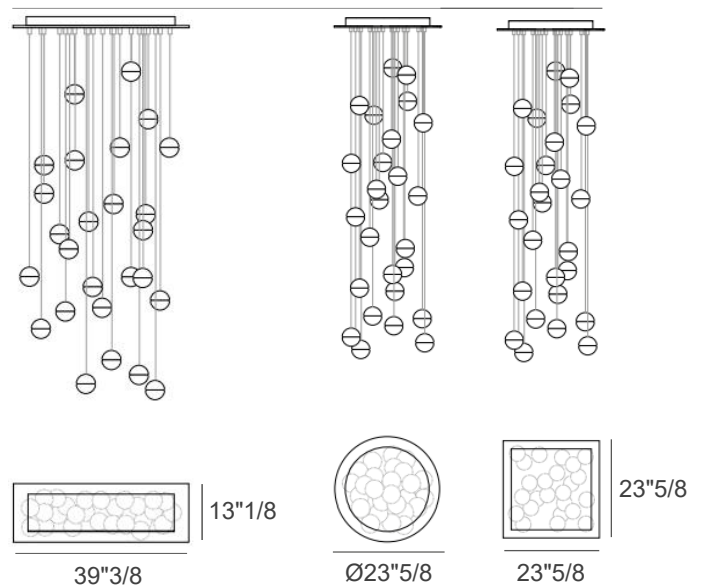
14.16) Sixteen pendants



14.20) Twenty pendants



14.26) Twenty-six pendants



Best practices for wiring multiple single pendant fixtures with remote mounted power supplies:

- Multiple single pendant fixtures should be wired in parallel. DO NOT wire in series.
- Bocci recommends a home run line for each fixture location to avoid significant voltage drop.
- Calculations for distance to the power supply, or required wire gauge in order to avoid voltage drop, are the responsibility of the installing party.

Specifications

Mounting: Ceiling mounted.

Glass Color: Clear, grey or ambar.

Lamp: 1W LED, 2700K, 100lm.

Coaxial Length: 11"7/8 minimum / up to 472"3/8 max.

Canopy Finish: White.

Materials: Blown glass, braided metal coaxial cable, electrical components, steel canopy.

Power Supply: Integral.

Bocci recommends remote mounting power supplies for ease of long-term maintenance.

Environment: Indoor, dry location. IP30.

