

Meeting

Design: Pierangelo Sciuto



Description

Double bed with a particleboard structure upholstered in Fabric, Leather or Tecnoleather. The cover is always removable.

In the Leather version the bed-frame upholstery is stitched together along the centre of each side. The headboard and the bed-frame feature a combination of two covers that can be chosen in different colours and from different categories.

The feet is offered in Matt Black or Metal Standard finish.

The size of the integrated self-supporting slatted base is smaller than the size of the interior space so that when the mattress is in place the underlying slatted base cannot be seen.

It also has an integrated self-bearing slatted base with beech slats. 6 of these slats have rigidity regulators and 4 feature different degrees of firmness for differentiated shoulder support.

For transport purposes, the integrated self-supporting slatted base is supplied unassembled, in two separate parts.

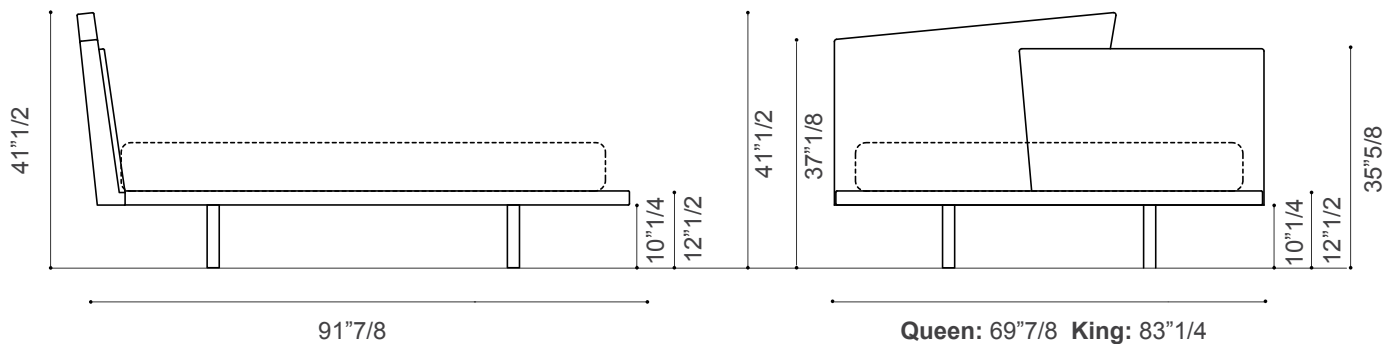
Made in Italy.

Meeting

Dimensions

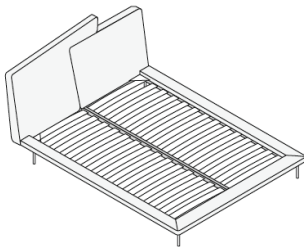
Queen: 69"7/8W x 91"7/8D x 41"1/2H
(To fit QUEEN size Mattress 58"7/8 x 85"7/8)

King: 83"1/4W x 91"7/8D x 41"1/2H
(To fit KING size Mattress 72"1/8 x 85"7/8)



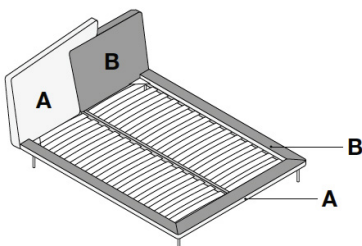
Versions:

Single color version



- self-supporting slatted base included
- square feet in Matt Black or Metal Standard finish

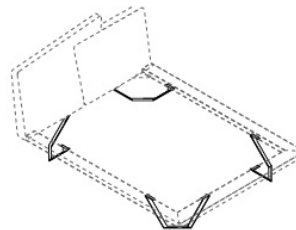
Dual color version



- self-supporting slatted base included
- square foot in Black Matt or Metal Standard finish

Optionals:

Sleigh feet



- matt lacquered or metal standard

Methacrylate base

- available with or without 3000K LED light kit with switch

