

Neck

Design: Pierangelo Sciuto



Description

Cupboard with structure and front 3/4 thick are made from wooden chipboard panels.

The structure has a Matt Lacquered or Wood finish, while the fronts can come with a finish of Matt Lacquered, Metal Standard, Wood or Vitrum Mirror.

Hinged fronts with a top grooved grip opening for sideboards H. 23"5/8, hinged fronts with a grooved grip opening for top fronts and a push-pull opening for lower fronts for sideboards H.44"1/4 panels.

Made in Italy.

Optionals:

-Internal wooden drawer with side spacers.

-Internal aluminum drawer with side spacers. (aluminum structure with glass base).

-Bottle holder drawer with side spacers. (aluminum structure with dividers).

-"Stilo" metal base.

-3000K LED Kit for sideboard bases, complete with transformer and wiring (only available with the Stilo base).

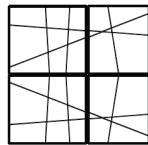
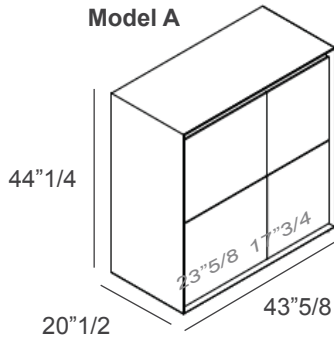
Neck

Dimensions

With 4 hinged doors including 4 glass shelves:
 43"5/8W x 20"1/2D x 44"1/4H

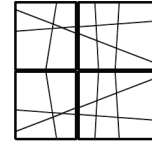
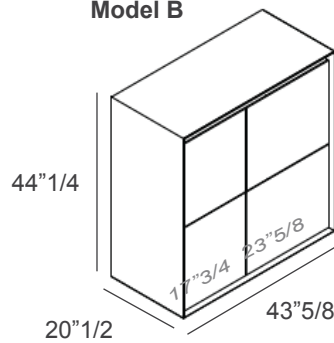
SIDEBOARD WITH 4 HINGED DOORS
 including 4 glass shelves

Model A



Vitrum mirror engraving scheme

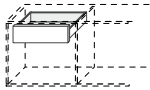
Model B



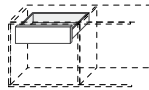
Vitrum mirror engraving scheme

OPTIONAL DRAWERS

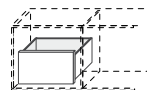
WOODEN INTERNAL DRAWER
 with side spacers
 only for compartments 23"5/8



ALUMINIUM INTERNAL DRAWER
 only for compartments 23"5/8



ALUMINIUM INTERNAL JUMBO DRAWER WITH BOTTLE-RACK
 only for central compartments



"Stilo" base in metal 7"7/8H

