

# Dolmen

*Design: R&D Design*

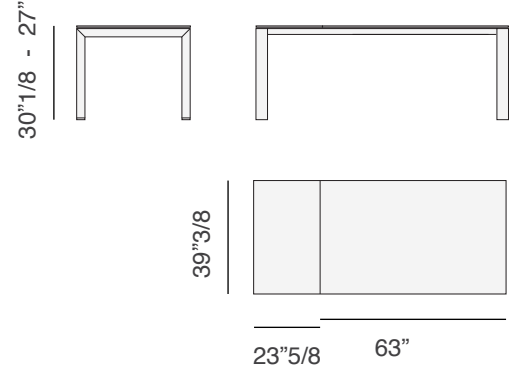


## *Description*

The Dolmen extendable dining table has a powder-coated aluminum frame and comes with an HPL top. A very solid and durable table, it is suitable for any outdoor use, from the garden terrace of a restaurant to a beach house.

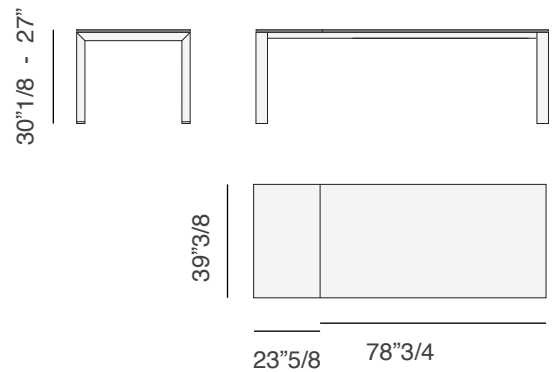
*(For more specifications, please refer to "Finishes & Materials")*

1820



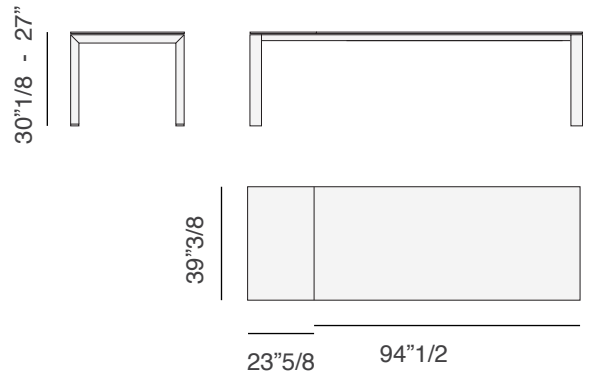
Dolmen Extendable Table A: 63"W x 39"3/8D x 30"1/8H  
 Dolmen Low Extendable Table A: 63"W x 39"3/8D x 27"H  
 Extends up to 86"5/8, with one 23"5/8 piece.

1821



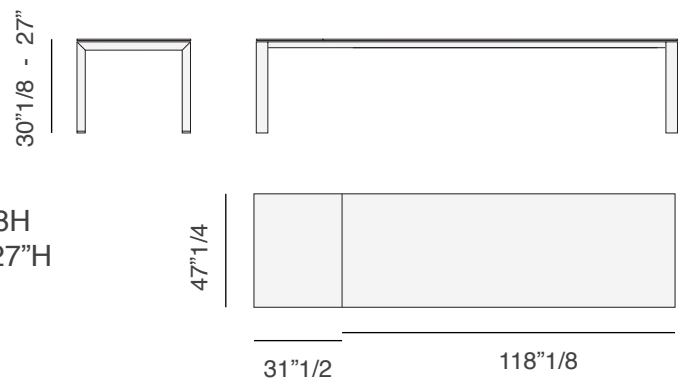
Dolmen Extendable Table B: 78"3/4W x 39"3/8D x 30"1/8H  
 Dolmen Low Extendable Table B: 78"3/4W x 39"3/8D x 27"H  
 Extends up to 102"3/8, with one 23"5/8 piece.

1822



Dolmen Extendable Table C: 94"1/2W x 39"3/8D x 30"1/8H  
 Dolmen Low Extendable Table C: 94"1/2W x 39"3/8D x 27"H  
 Extends up to 118"1/8, with one 23"5/8 piece.

1824



Dolmen Extendable Table D: 118"1/8W x 47"1/4D x 30"1/8H  
 Dolmen Low Extendable Table D: 118"1/8W x 47"1/4D x 27"H  
 Extends up to 149"5/8, with one 31"1/2 piece.