

Tibidabo

Design: Calvi & Brambilla



Description

Collection with structure in powder coated aluminum and hand woven man-made fiber. Top available in glass, HPL or in Bush-hammered ceramic. Made in Italy.

Available Combinations

Structure & Weaving in:

Combination 1)

Structure in Silk Grey + Weaving in Perla Rope

Combination 2)

Structure in Grey + Weaving in Grey Brown Rope



Finishes and materials

Structure: Powder coated aluminum frame in Silk grey, metal bronze or grey finish.

Weaving: Perla rope, VAR#TEX Bronzo rope or Grey brown rope.

Top: Glass, HPL or Bush-hammered ceramic.

(For more specifications, please refer to "Finishes & Materials")

Tibidabo

Top heights:

Glass: 3/8"



HPL: 1/2"

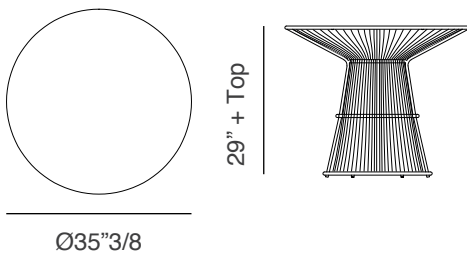


Bush-hammered Ceramic: 1/2"



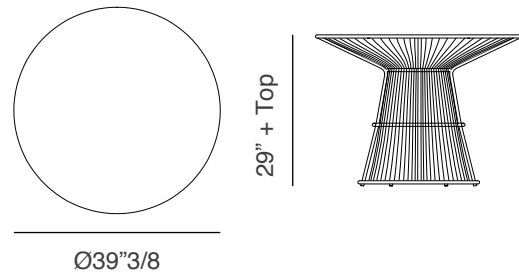
3896

Tibidabo Bistrot Table 1:
 Ø35"3/8 x 29"H + Top height



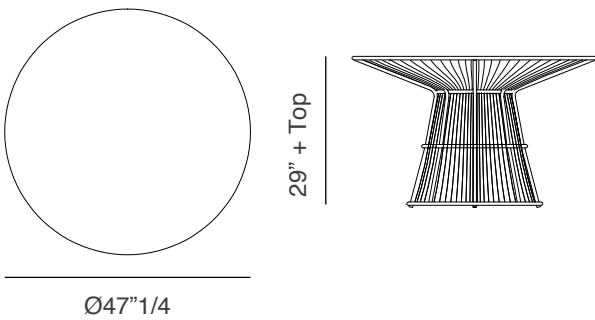
3966

Tibidabo Bistrot Table 2:
 Ø39"3/8 x 29"H + Top height



3897

Tibidabo Fixed Table 1:
 Ø47"1/4 x 29"H + Top height



3898

Tibidabo Fixed Table 2:
 Ø51"1/8 x 29"H + Top height

