

Envy totem

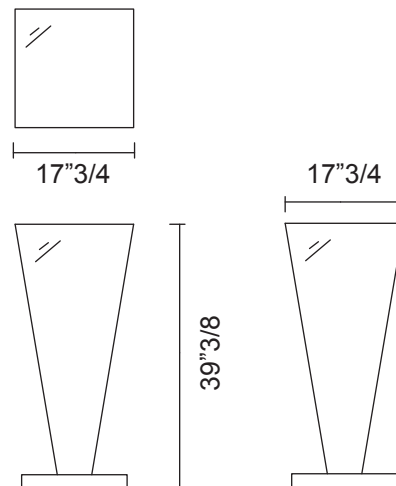


Description

Column with structure in MDF covered in mirror 1/8" thick natural/bronze/smoke finish or covered in extra white tempered back lacquered 5/8 thick. Base in shining stainless steel.

Dimensions

17"3/4W x 17"3/4D x 39"3/8H



Finishes and materials

Structure in: Mirror in natural/bronze/smoke finish or extra white tempered back lacquered. Base in: Stainless shining steel.

(For more specifications, please refer to "Finishes & Materials")