

Florinda

Design: Annarosa Romano + Bruno Menegon



Description

Ceiling lamp in hand-finished pleated or pleated ribbon fabric. Made in Italy.

Finishes and materials

Lampshade: Hand-finished, pleated fabric or pleated ribbon fabric.

Light source

3 lampshades: 3 x E27 70 W HES

6 + 1 lampshades (double lighting): 6 x E27 70 W + 1 x E14 42 W HES

12 + 1 lampshades (double lighting): 12 x E27 70 W HES + 3 x E27 42 W HES

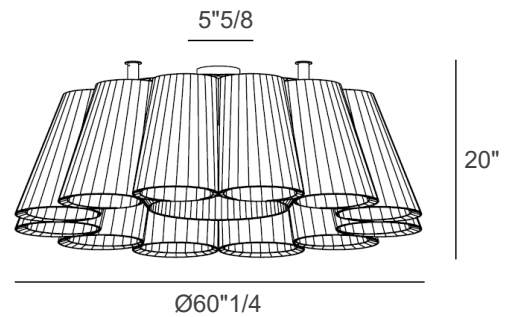
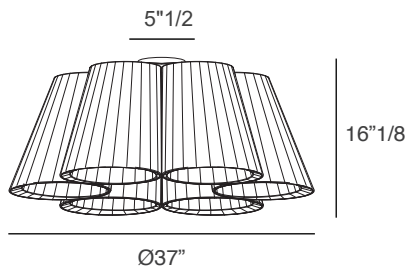
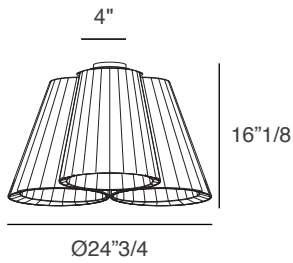
Florinda

Dimensions

3 lampshades: $\text{Ø}24\frac{3}{4}$ x $16\frac{1}{8}$ H

6 lampshades: $\text{Ø}37$ x $16\frac{1}{8}$ H

12 lampshades: $\text{Ø}60\frac{1}{4}$ x 20 H



Florinda 6 view
from below