

Florinda

Design: Annarosa Romano + Bruno Menegon



Description

Suspension lamp in hand-finished pleated fabric or pleated ribbon fabric. Made in Italy.

Light source

1 Lampshade: 1 x E27 70 W HES

3 Lampshades: 3 x E27 70 W HES

6 + 1 lampshades (double lighting): 6 x E27 70 W + 1 x E14 42 W HES

12 + 1 lampshades (double lighting): 12 x E27 70 W HES + 3 x E27 42 W HES

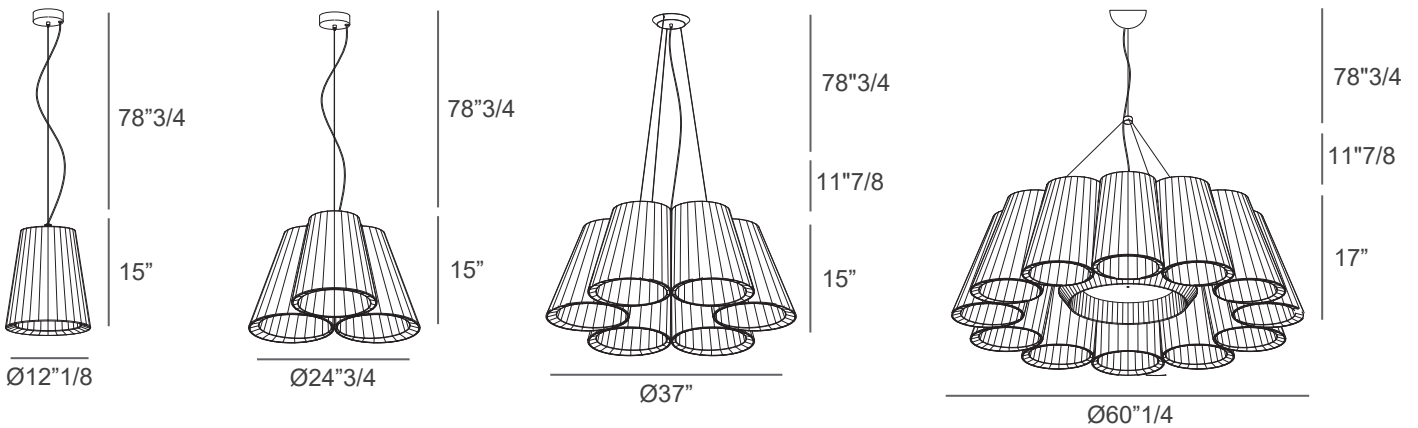
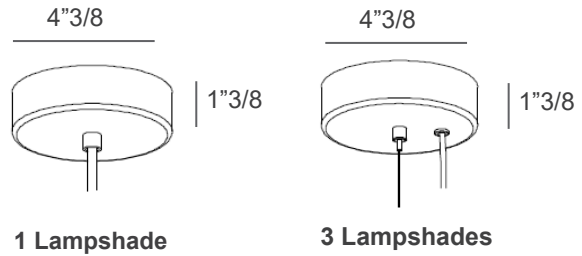
Florinda Desnuda

Dimensions

- 1 Lampshade: $\text{Ø}12\frac{1}{8}$ x 15"H
- 3 Lampshades: $\text{Ø}24\frac{3}{4}$ x 15"H
- 6 Lampshades: $\text{Ø}37$ x 15"H
- 12 Lampshades: $\text{Ø}60\frac{1}{4}$ x 17"H

Cable and canopy height: $78\frac{3}{4}$

Canopies detail:



6 Lampshades
view from below